

# INSTRUCTION MANUAL



**TEAM SHEPHERD**



The new Shepherd Velox V10'21 is one of a kind in the 1/10 scale racing series. With the newly developed and outstanding design of this car we offer a product in best quality and precision. The keyfacts of the new Shepherd Velox V10'21 are:

- new advanced weight system chassisplate
- new carbon battery mount
- new front and rear shocktowers
- new body mount plate front carbon
- new radioplate mount
- VCC clutch bell aluminium
- narrow rear end geometry
- rear driveshaft aluminium
- rear dogbone wheelaxles
- front CVDs
- various servo saver positions
- ball-raced front and rear wire anti-roll bar
- quick roll-center adjustment at all wishbones
- very small adjustable aluminium servo saver
- easy to maintain differentials
- easy to adjust belt tension in the front and in the rear
- very low center of gravity
- Velox Revolutionary Shock System (VRS-System)
- outstanding Direct-V-Brake System (DVB-System)
- reliable Velox Competition Clutch

## Cautions

To prevent any serious personal injury and/or damage to property, please be responsible when operating with any remote controlled models.

Pay extra attention when operating with any glow fuel powered model.

Choose the right place to operate your R/C model.

Do not run on public streets or highways. This could cause serious accidents, personal injuries, and/or property damage. Never run R/C models near people or animals nor indoor.

Do not run where loud noise can disturb others, such as hospitals and residential areas.

Inspect your model before operation.

Make sure that all screws and nuts are properly tightened. Use removable thread lock wherever metal screws go into metal, especially for engine mounts and the engine pilot shaft.

Always use fresh batteries for your transmitter and for your receiver to avoid losing control of the model.

Always test the brakes and the throttle before starting your engine.

Heat, Fire and fuel safety

Never use gasoline in a glow model engine. Use glow fuel specifically designed for model-car engines.

Using non-approved fuels in your engine can cause an explosion.

Avoid open flames and do not smoke while running your model or handling with fuel. Always store fuel in a well ventilated place, away from heating devices, open flames and direct sunlight.

Be aware that some parts will be hot after operation. Do not touch the exhaust-system or the engine until they have cooled down.



# Symbols

## BAG 5 STEP 4

On each page you see this symbol. The symbol tells you to use BAG 1 STEP 1. In each BAG you will find the steps packed separately for easy assembly.

SHEPHERD  
BAG123

These stickers indicates the BAG number.

SHEPHERD  
STEP123

These stickers indicates the STEP number.

Quantity used in STEP

13x

40 22 21

Partnumber

3

Construction order

In this description fields you will find helpful information for building and adjusting the V10 as well as option parts for your car.

# Grease and oil



Use Oil



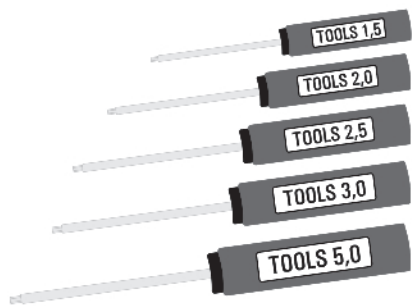
Use grease  
(Not included)



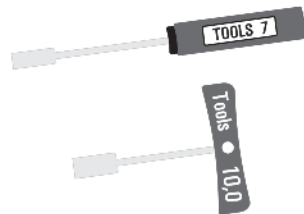
Use thread lock  
(Not included)

# Tools

These tools are not included in the kit, but are required for proper assembling.



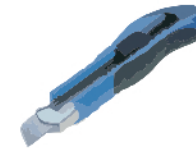
Allen wrenches



Socket wrenches



Pliers, sidecutter



Hobby knife

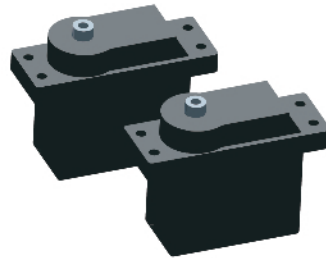


Caliper

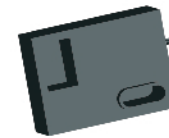
This equipment is required to use your RC-Car. Not included in the kit.



Transmitter



Steering servo  
Throttle/Brake servo



Receiver



LiPo Battery



Tyres



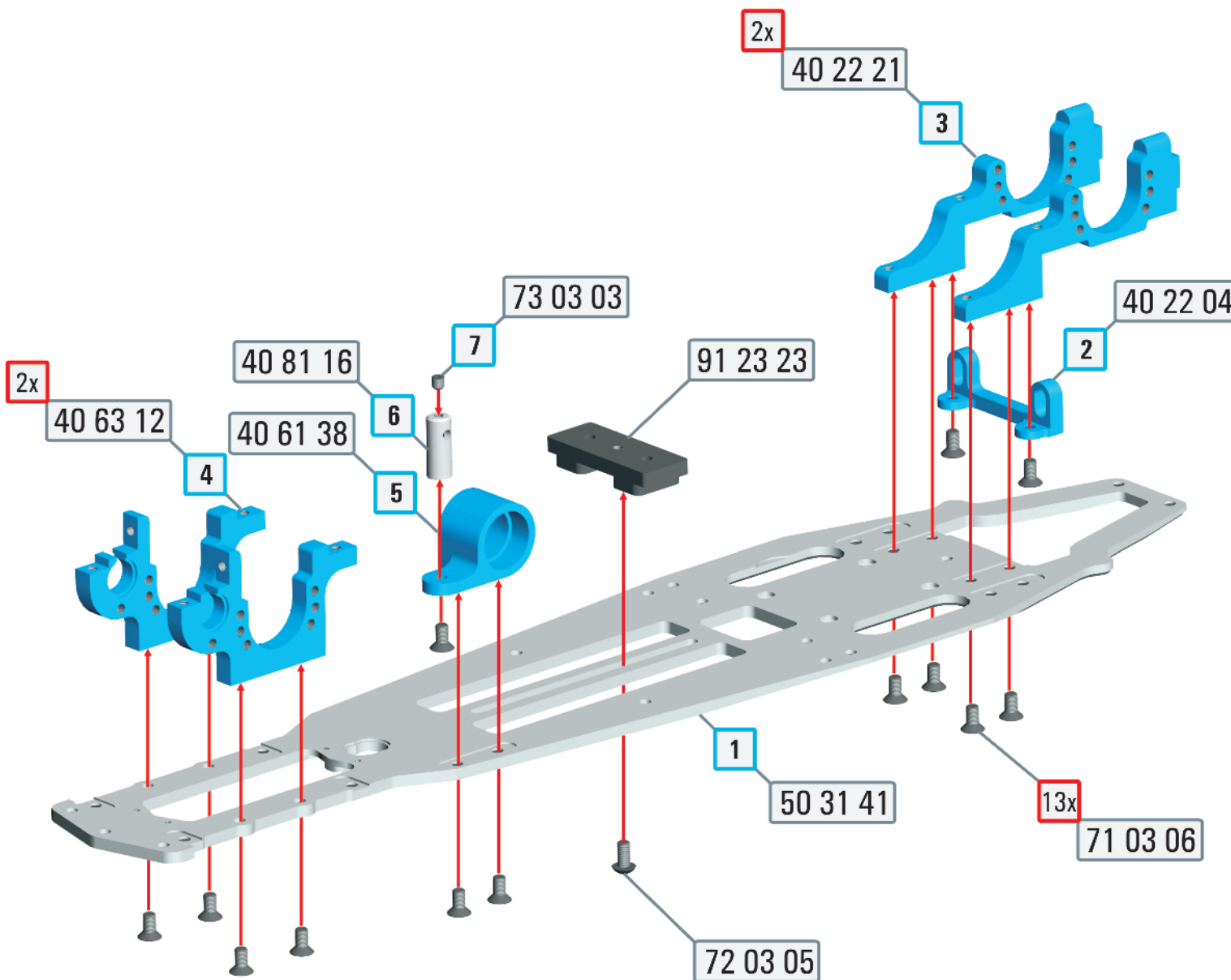
Engine and airfilter



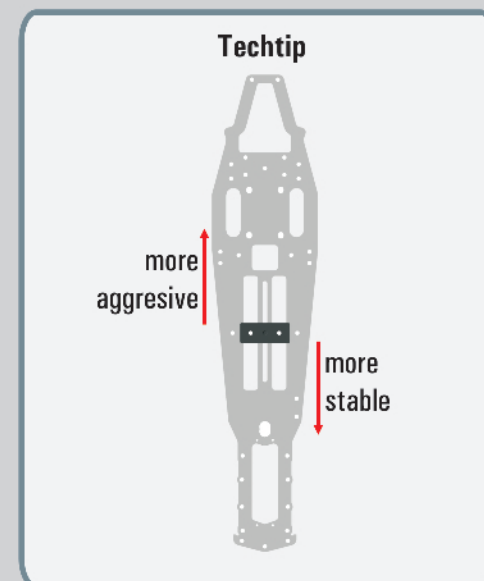
Exhaust system

**Also required:**

- Starting box
- Nitrofuel
- Fuelbottle
- Glower
- Polycarbonatbody



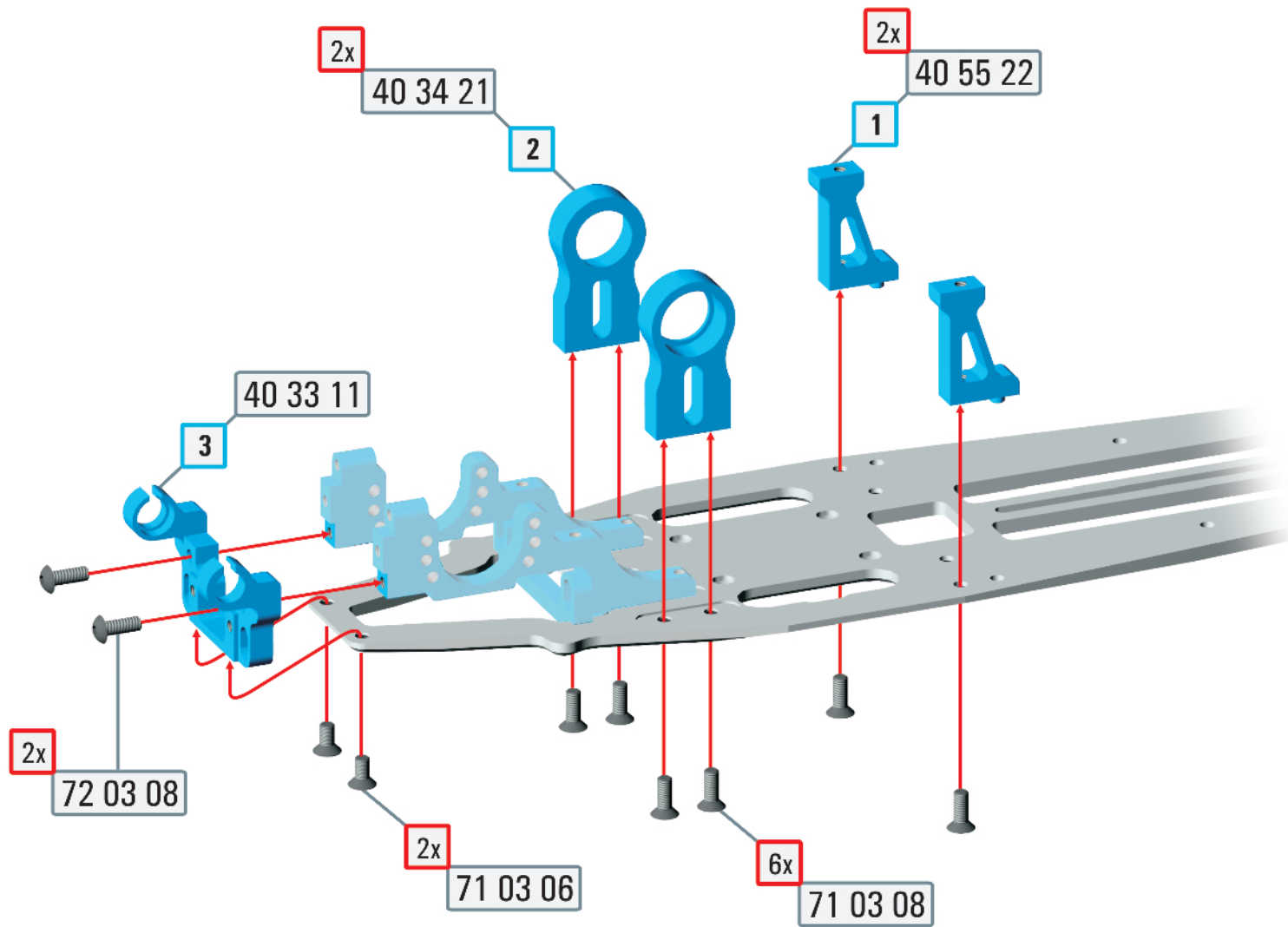
40 22 04(B)	Hinge pin bracket lower rear	1
40 22 21(B)	Rear bulkhead	2
40 61 38(B)	Middle bearing block v3	1
40 63 12(B)	Bulkhead front	2
40 81 16	Muffler spring mount V2	1
50 31 41	Chassis plate V10 AWS	1
71 03 06	Hex. countersunk screw M3x6	13
72 03 05	Hex. Buttonhead screw M3x5	1
73 03 03	Allen set screw M3x3	1
91 23 23	Center weight 18g AWS	1



**Instruction**  
Do not tighten the set screw 73 03 03.

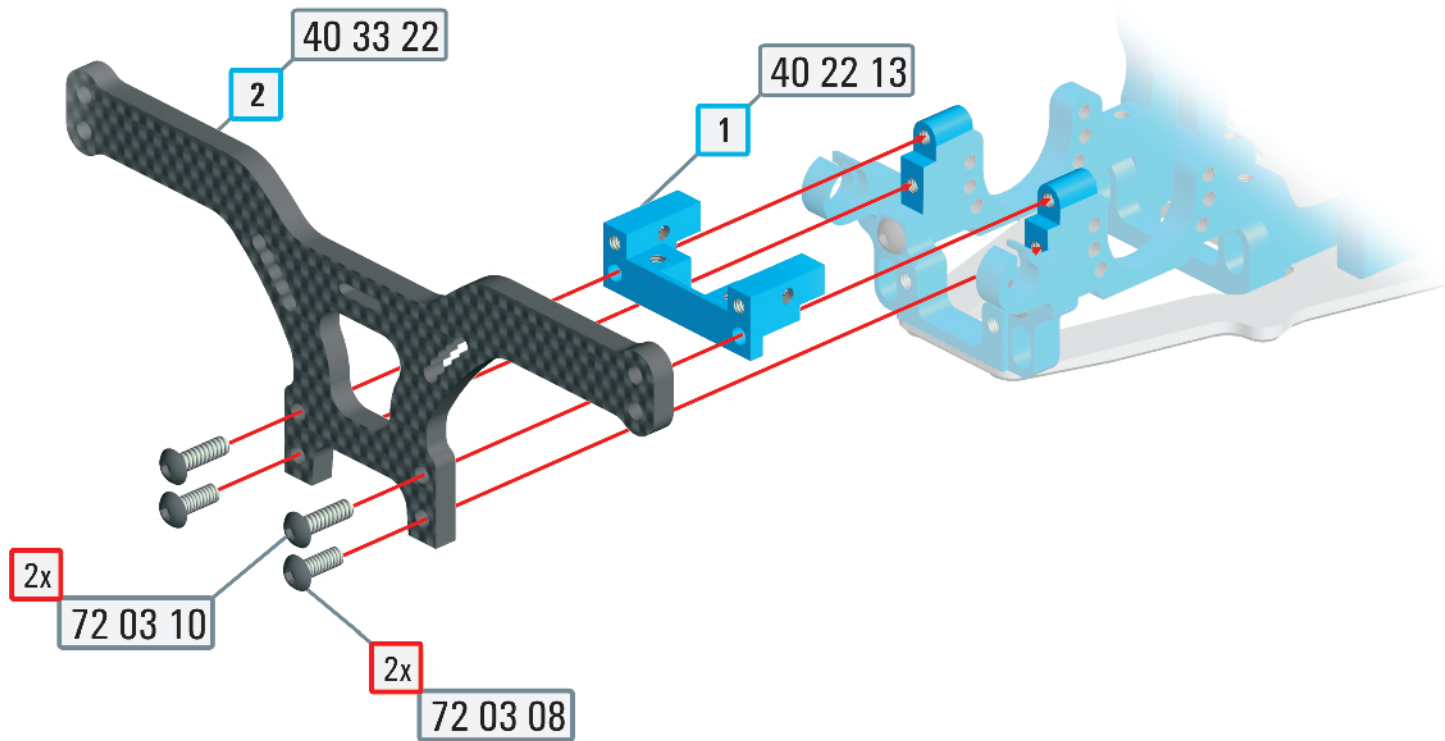
**Option-Part for 40 63 12:**  
50 63 12 Bulkhead front rear diff postion



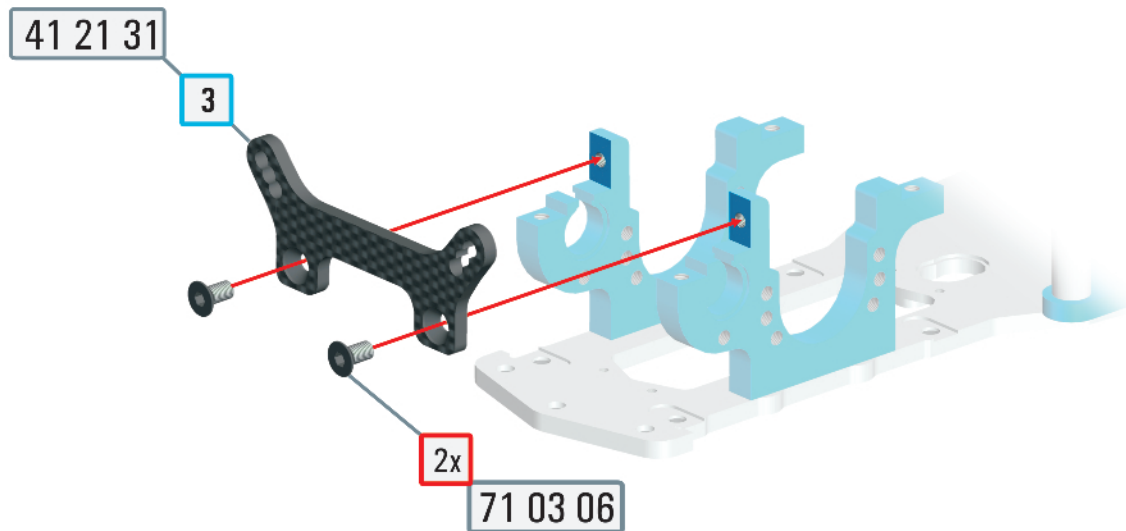


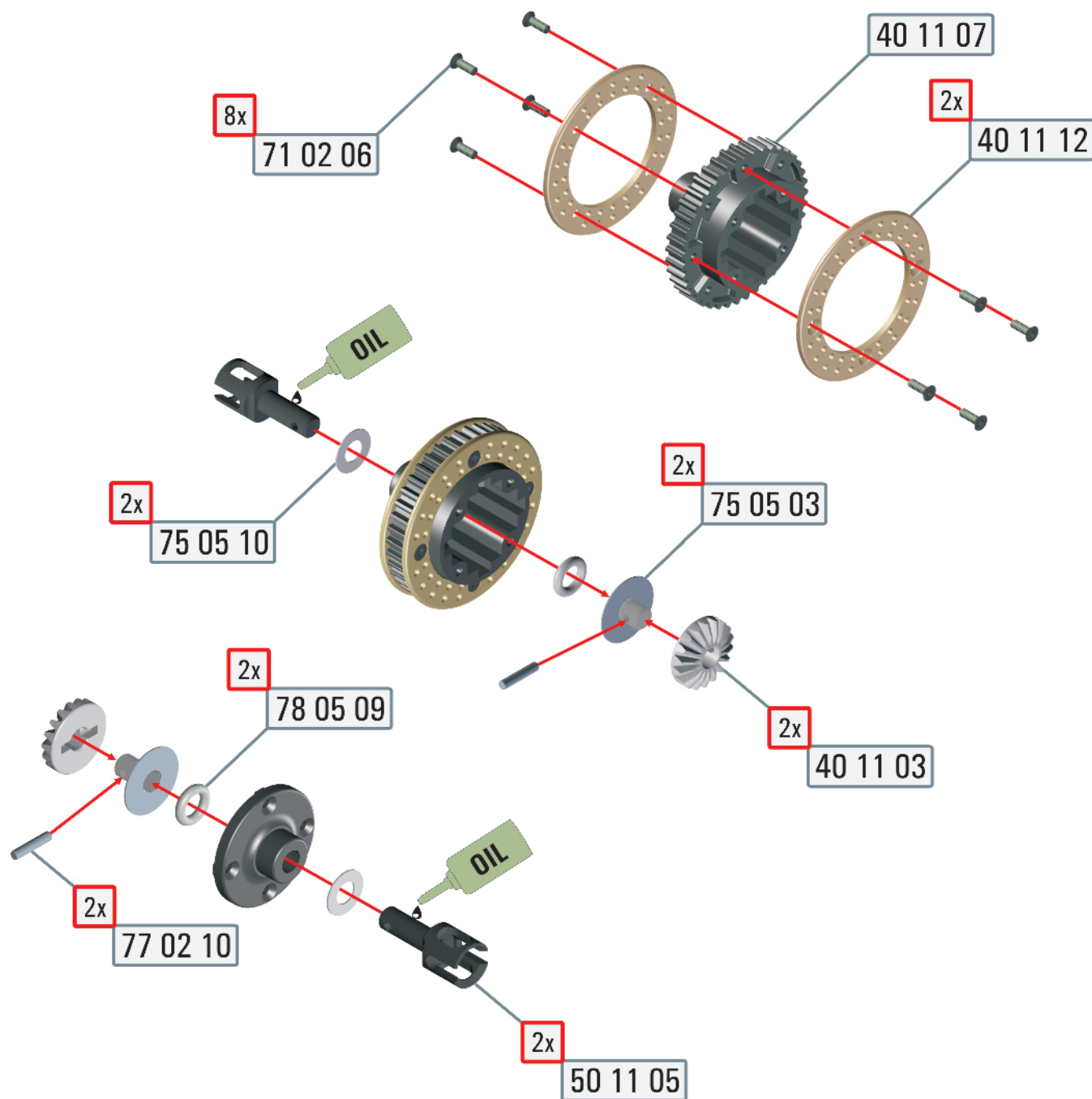
40 33 11(B)	Rear panel	1
40 34 21(B)	Bulkhead gearbox	2
40 55 22(B)	Radioplate mount	2
71 03 06	Hex. countersunk screw M3x6	2
71 03 08	Hex. countersunk screw M3x8	6
72 03 08	Hex. buttonhead screw M3x8	2

**Option-Part for 40 34 21:**  
50 00 18 Set Bulkhead gearbox Low-Flex



40 22 13	Brake lever mount	1
40 33 22	Shock tower rear	1
41 21 31	Shock tower front	1
71 03 06	Hex. countersunk screw M3x6	2
72 03 08	Hex. buttonhead screw M3x8	2
72 03 10	Hex. buttonhead screw M3x10	2



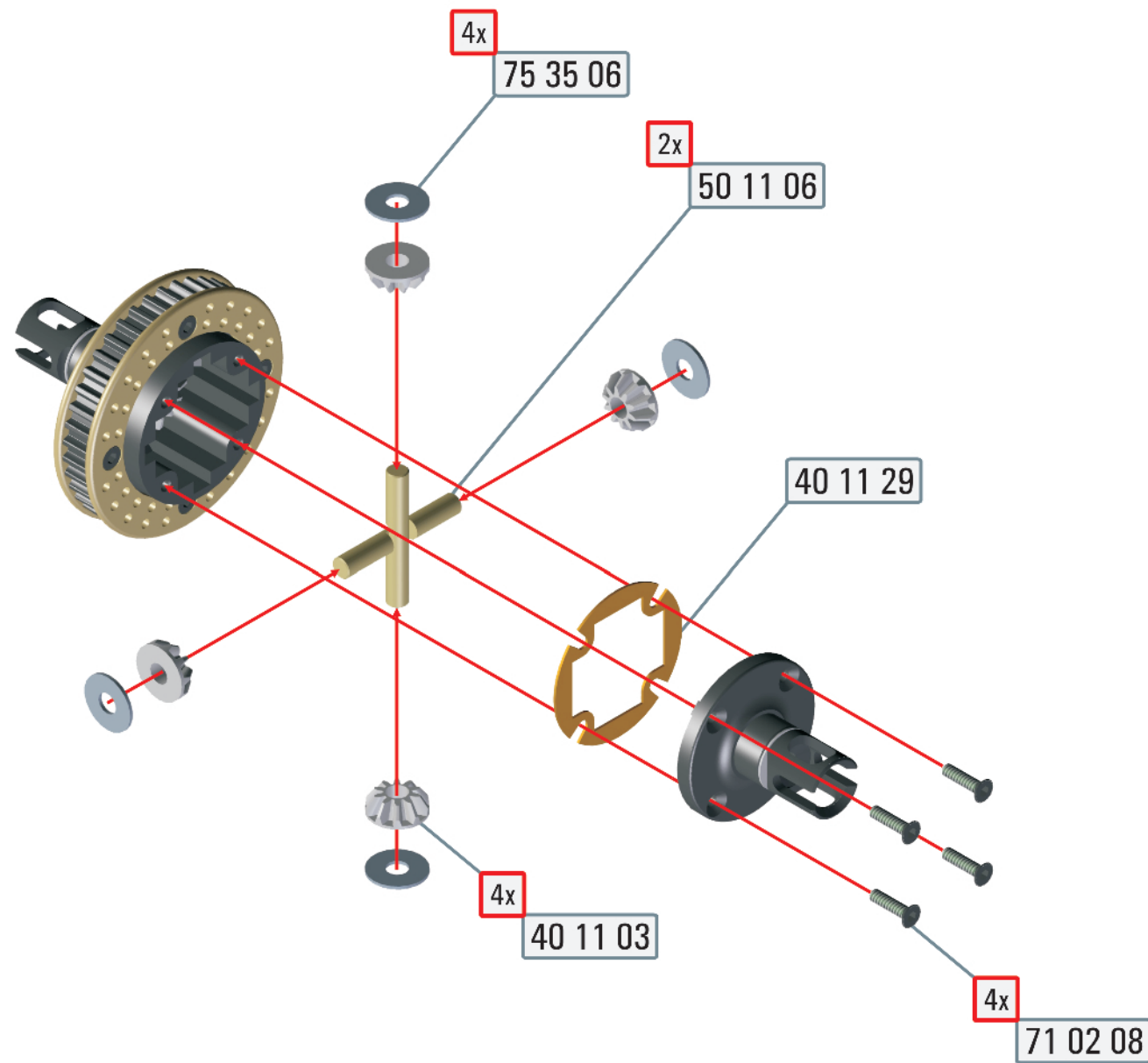


40 11 03	Diff gear set (4+2)	1
40 11 07	Differential housing & cover	1
40 11 12	Brake disc v2 hardcoated	2
50 11 05	Diff outdrive rear "light"	2
71 02 06	Hex. countersunk screw M2x6	8
75 05 03	Adjusting shim 5x15x0,3	2
75 05 10	Adjusting shim 5x10x0,1	2
77 02 10	Pin 2x10mm	2
78 05 09	O-ring differential V10	2

### Spare-Part

40 11 00 Rear differential complete with brake discs

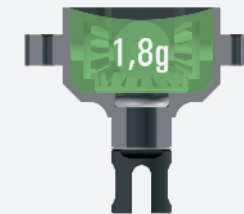




40 11 03	Diff gear set (4+2)	4
40 11 29	Differential sealing	1
50 11 06	Differential pin aluminium	2
71 02 08	Hex. countersunk screw M2x8	4
75 35 06	Adjusting shim 3,5x9,5x0,6	4

### Instruction

Before you start to fix the bevelgears to the housing, apply 0,4g of the included diff silicone oil to the housing. Then you put in the axles with the bevelgears. Push the axles with the bevelgears completely into the housing and apply 1,4g of the diff silicone oil.

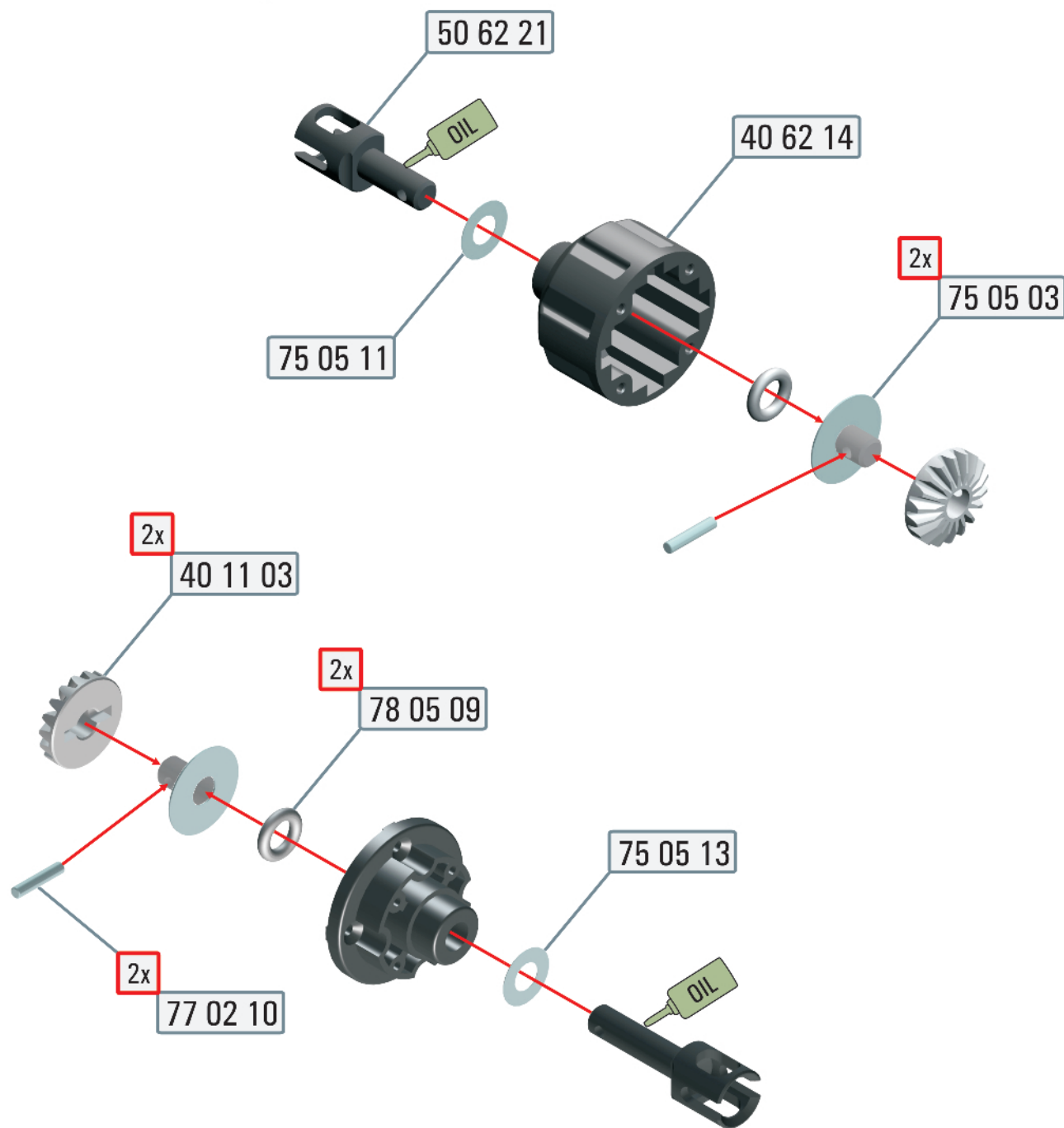


Leave the housing for a while in an upright position to allow the oil to settle down.

Not too much oil should be pressed out while closing the housing. Make sure that the eventually pressed out oil does not cause the seal to move.

After closing the housing you have to clean the housing well. Take care that there is no more oil on the brakediscs.





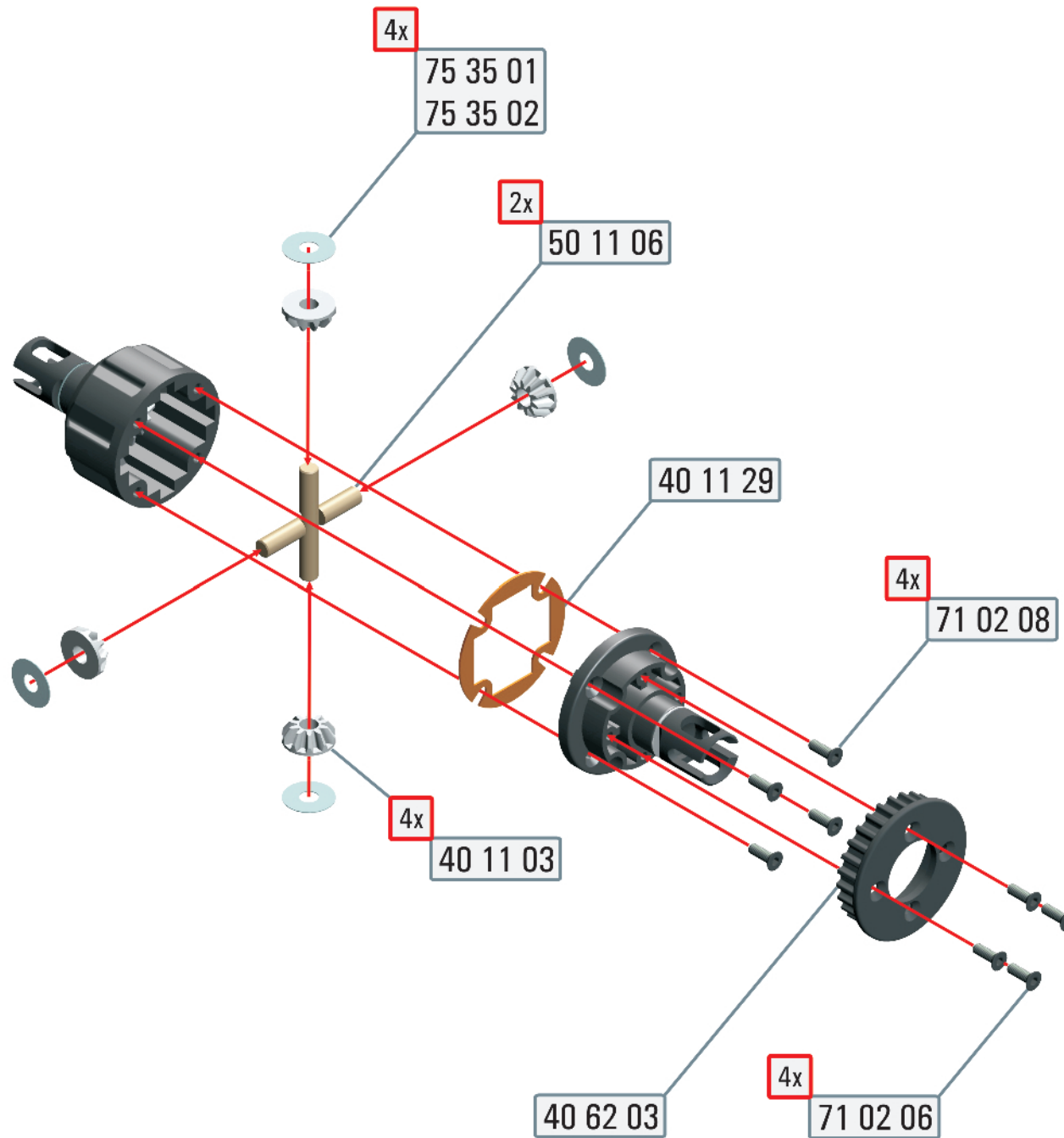
40 11 03	Diff gear set (4+2)	2
40 62 14	Gear diff. housing & cover "PRO"	1
50 62 21	Diff outdrives front "light" (1+1)	1
75 05 03	Adjusting shim 5x15x0,3	2
75 05 11	Adjusting shim 5x10x1,0	1
75 05 13	Adjusting shim 5x10x0,3	1
77 02 10	Pin 2x10mm	2
78 05 09	O-ring differential V10	2

### Spare-Part

40 62 10 Front differential complete "PRO"

### Optional One-way / solid axle

50 62 10 One-way / solid axle complete



40 11 03	Diff gear set (4+2)	4
40 11 29	Differential sealing	1
40 62 03	Pulley 27T	1
50 11 06	Differential pin aluminium	2
71 02 06	Hex. countersunk screw M2x6	4
71 02 08	Hex. countersunk screw M2x8	4
75 35 01	Adjusting shim 3,5x9,5x0,1	4
75 35 02	Adjusting shim 3,5x9,5x0,2	4

### Instruction

Use the different shims to adjust the play.

Before you start to fix the bevelgears to the housing, apply 0,4g of the included diff silicone oil to the housing. Then you put in the axles with the bevelgears. Push the axles with the bevelgears completely into the housing and apply 1,4g of the diff silicone oil.



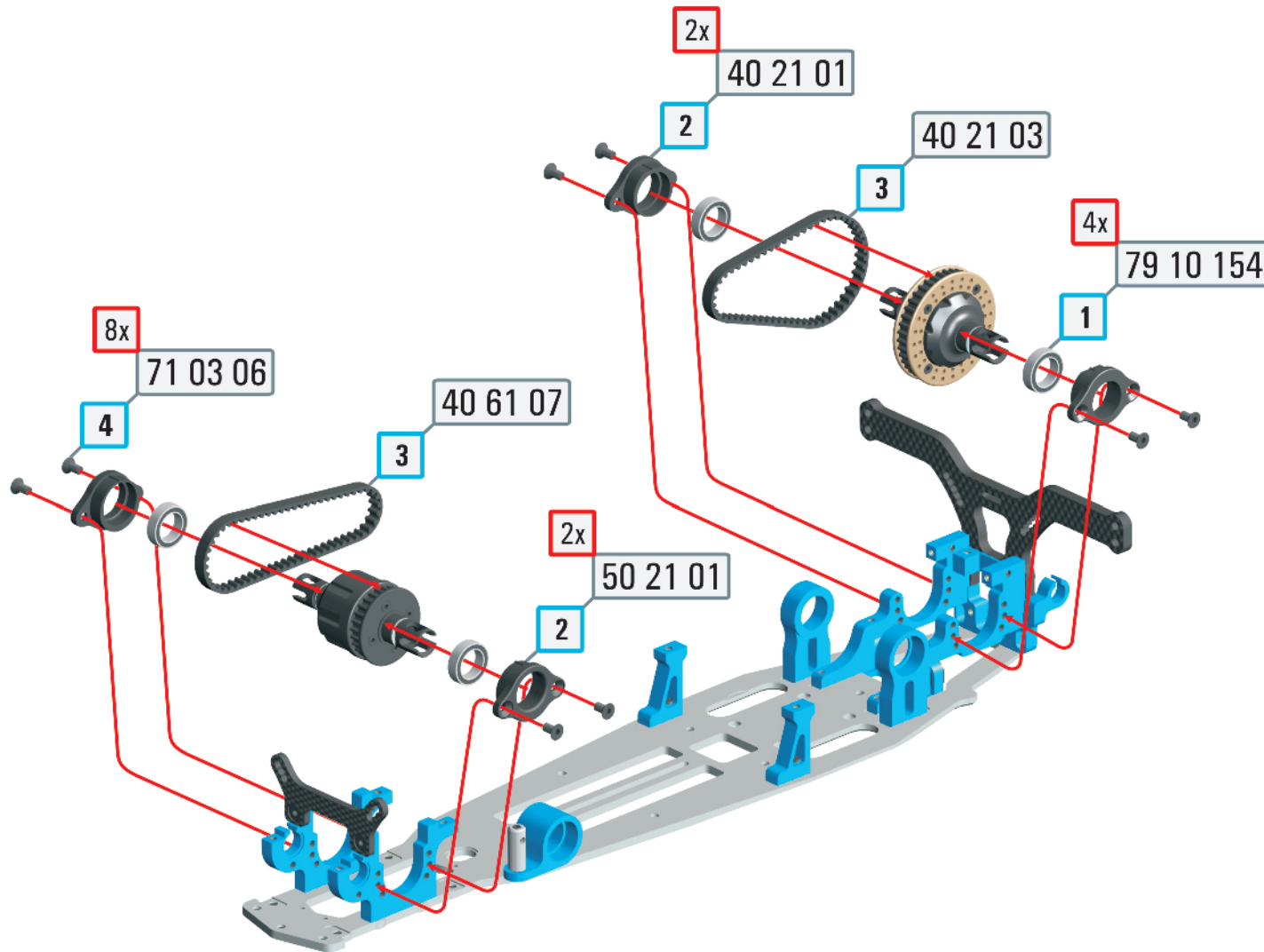
Leave the housing for a while in an upright position to allow the oil to settle down.

Not too much oil should be pressed out while closing the housing. Make sure that the eventually pressed out oil does not cause the seal to move.

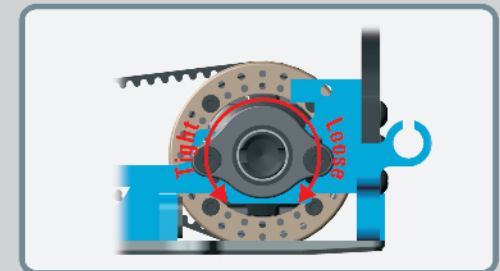
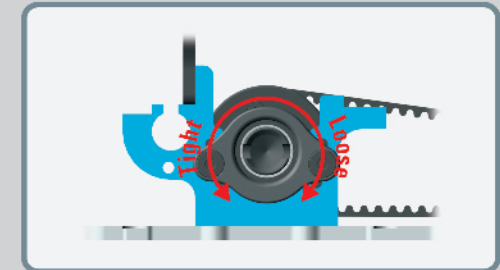
After closing the housing you have to clean the housing well.

**Option-Part for 40 62 03:**  
50 62 13 Kevlar Pulley 27T

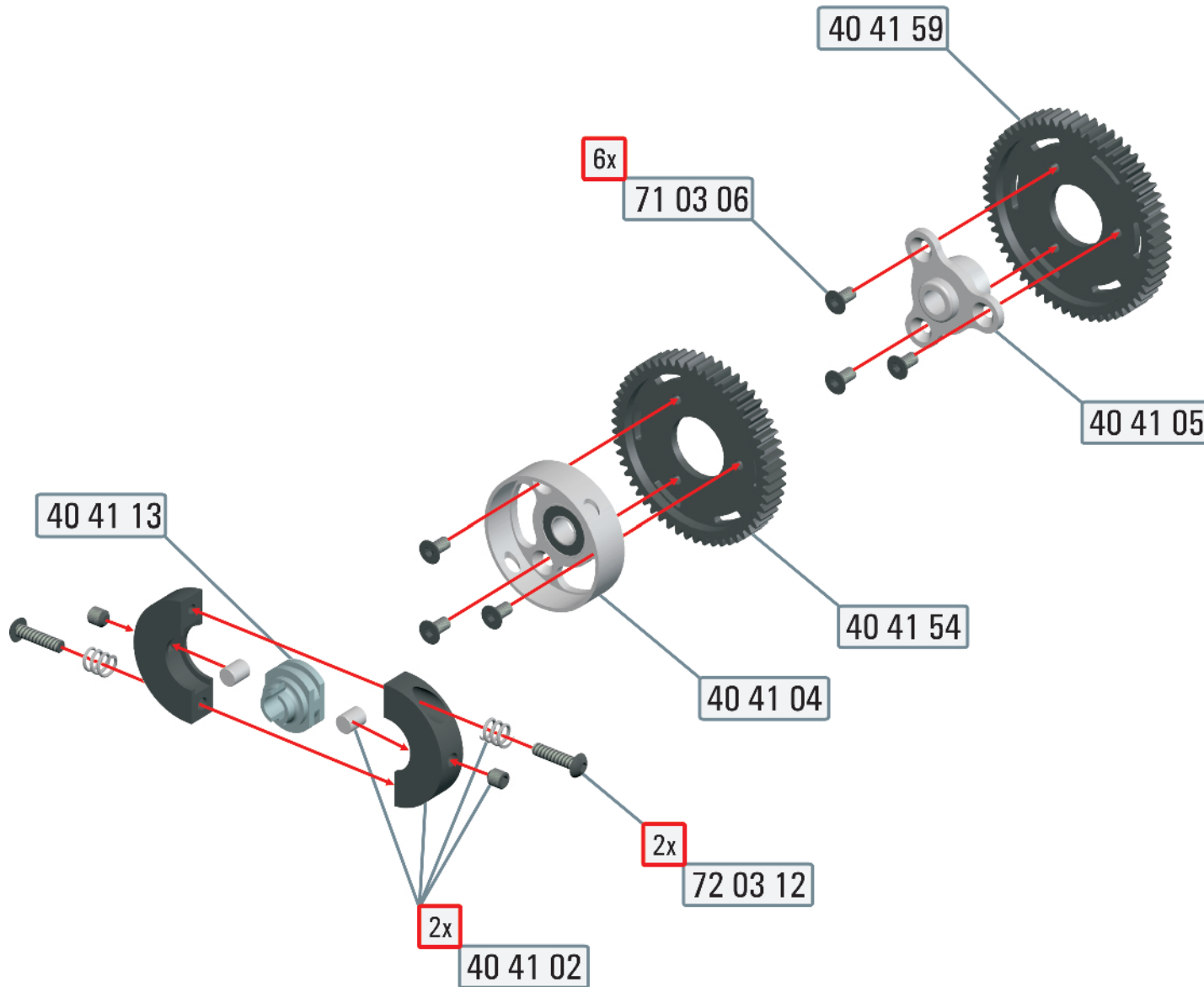




40 21 01	Excentric for bulkheads	2
40 21 03	Rear belt	1
40 61 07	Front belt	1
50 21 01	Excentric bulkhead front "high"	2
71 03 06	Hex. countersunk screw M3x6	8
79 10 154	Ball-bearing 10x15x4	4



**Instruction**  
Please cut the upper part of the rear excentrics as preparation for Bag 4 Step4.



40 41 02	2-speed clutch shoe set	1
40 41 04	2-speed clutch bell	1
40 41 05	2-speed one-way	1
40 41 13	2-speed adapter	1
40 41 54	2nd gear 54T	1
40 41 59	1st gear 59T	1
71 03 06	Hex. countersunk screw M3x6	6
72 03 12	Hex. buttonhead screw M3x12	2

### Instruction

#### Basic adjustment 2-speed:

Assemble the 2-speed shoes and adjust it using the screw 72 03 12 and the allen set screw. With the screw 72 03 12 you adjust the shift point. For the basic adjustment tighten the screws 72 03 12 until the thread is no longer visible.

#### 2-speed clutchbell / shoe-clearance:

Use the allen set screw to adjust the gab between the shoes. Tighten the set screw until the shoes lift only a little bit from the adapter. Ensure that the 2-speed-bell is always moving freely.

#### Option-Part 1st gear:

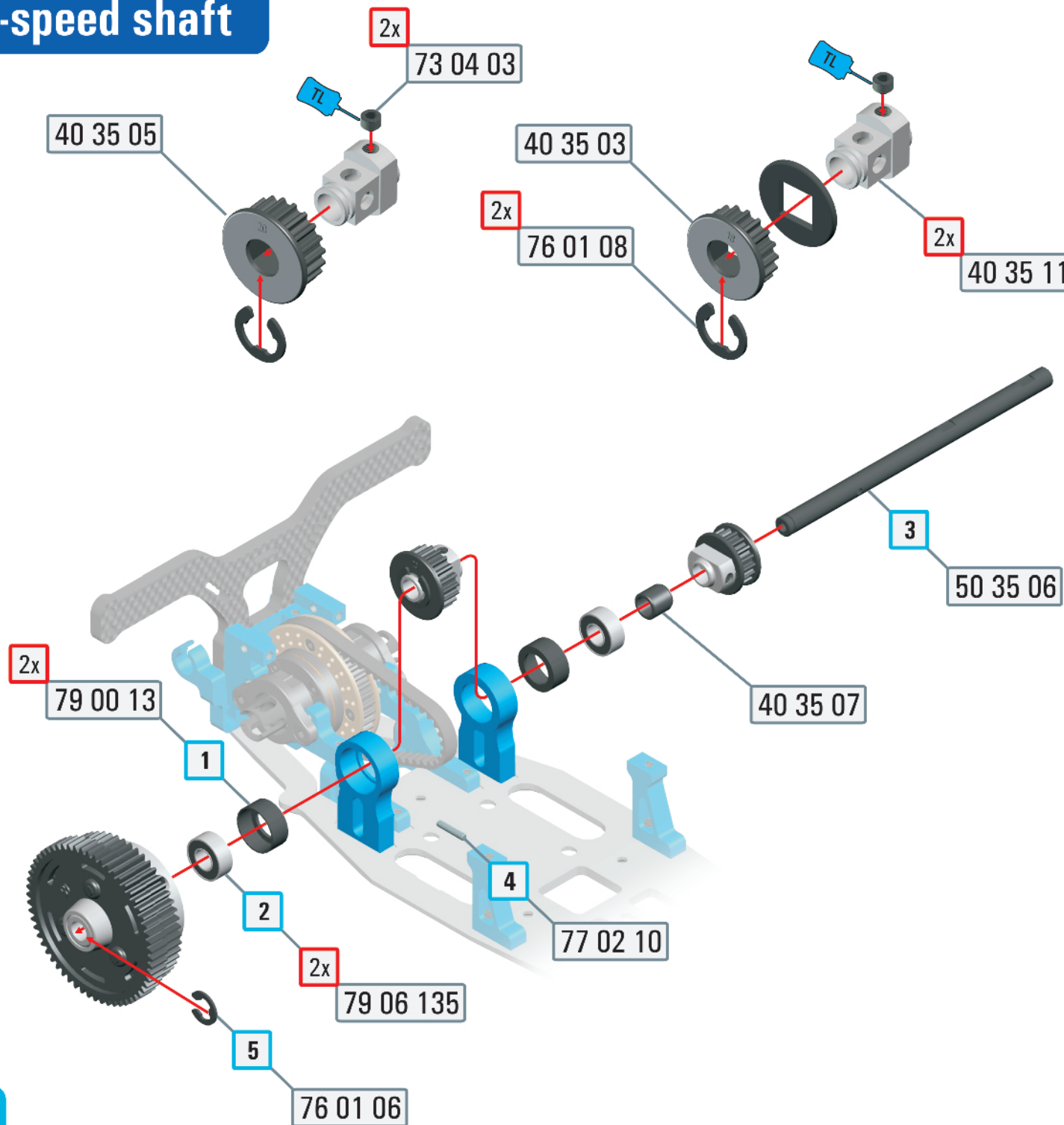
40 41 58 1st gear 58T  
40 41 60 1st gear 60T

#### Option-Part 2nd gear:

40 41 53 2nd gear 53T  
40 41 55 2nd gear 55T

# 2-speed shaft

# BAG 4 STEP 2



40 35 03	Pulley 18T and shim	1
40 35 05	Pulley 20T	1
40 35 07	2-speed shaft spacer	1
40 35 11	Pulley adapter - light	2
50 35 06	2-speed shaft V10 light	1
73 04 03	Allen set screw M4x3	2
76 01 06	Circlip 6mm	1
76 01 08	Circlip 8mm	2
77 02 10	Pin 2x10mm	1
79 00 13	Bushing 13mm bearing	2
79 06 135	Ball-bearing 6x13x5	2

### Instruction

Make sure that the shaft has minimal axial play and moves freely.

### Option-Part for 40 35 03:

50 35 03 Kevlar Pulley 18T

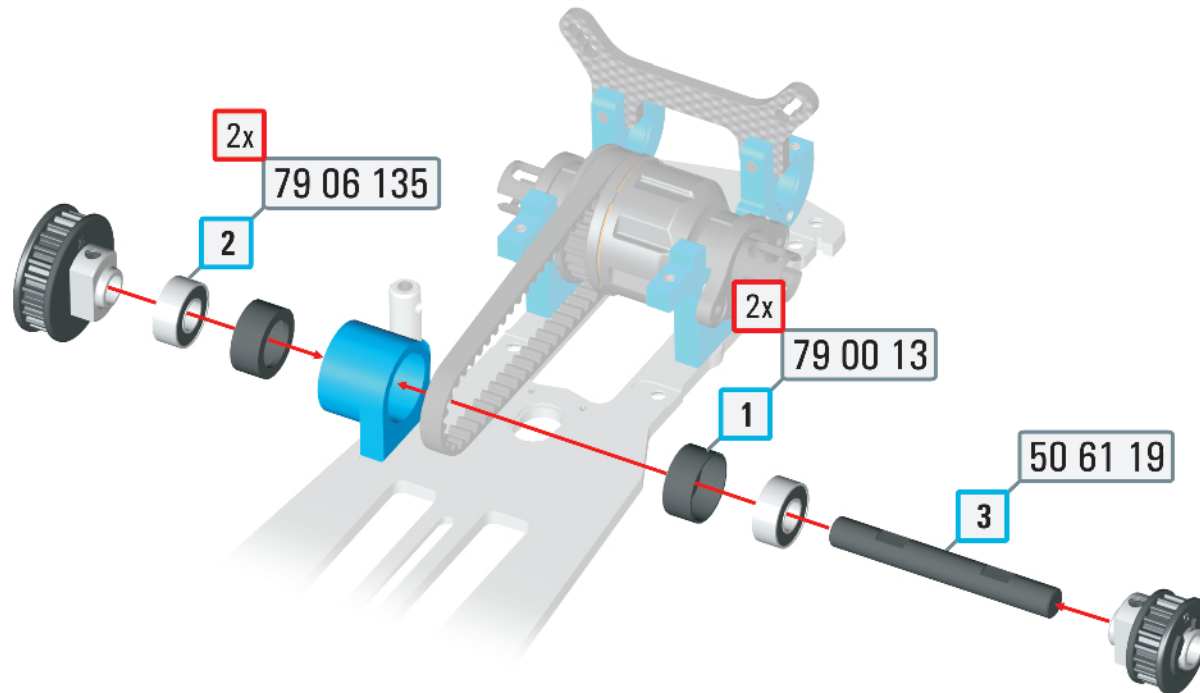
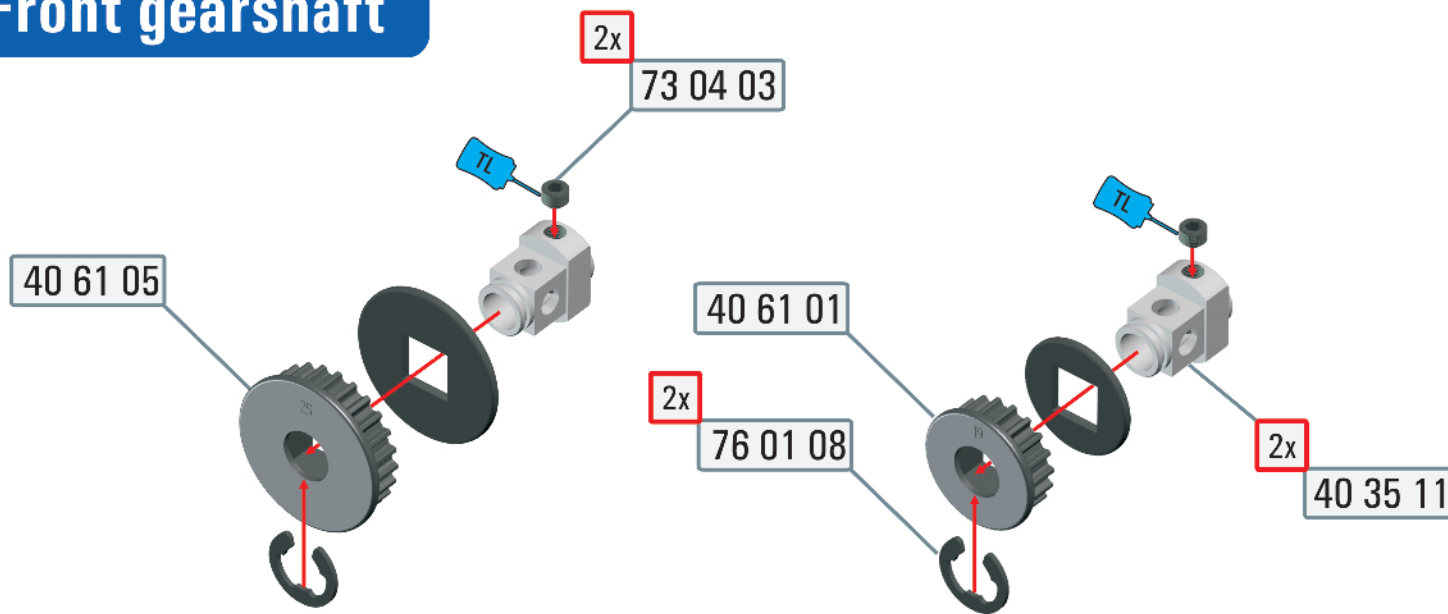
### Option-Part for 40 35 05:

50 35 05 Kevlar Pulley 20T



# Front gearshaft

# BAG 4 STEP 3



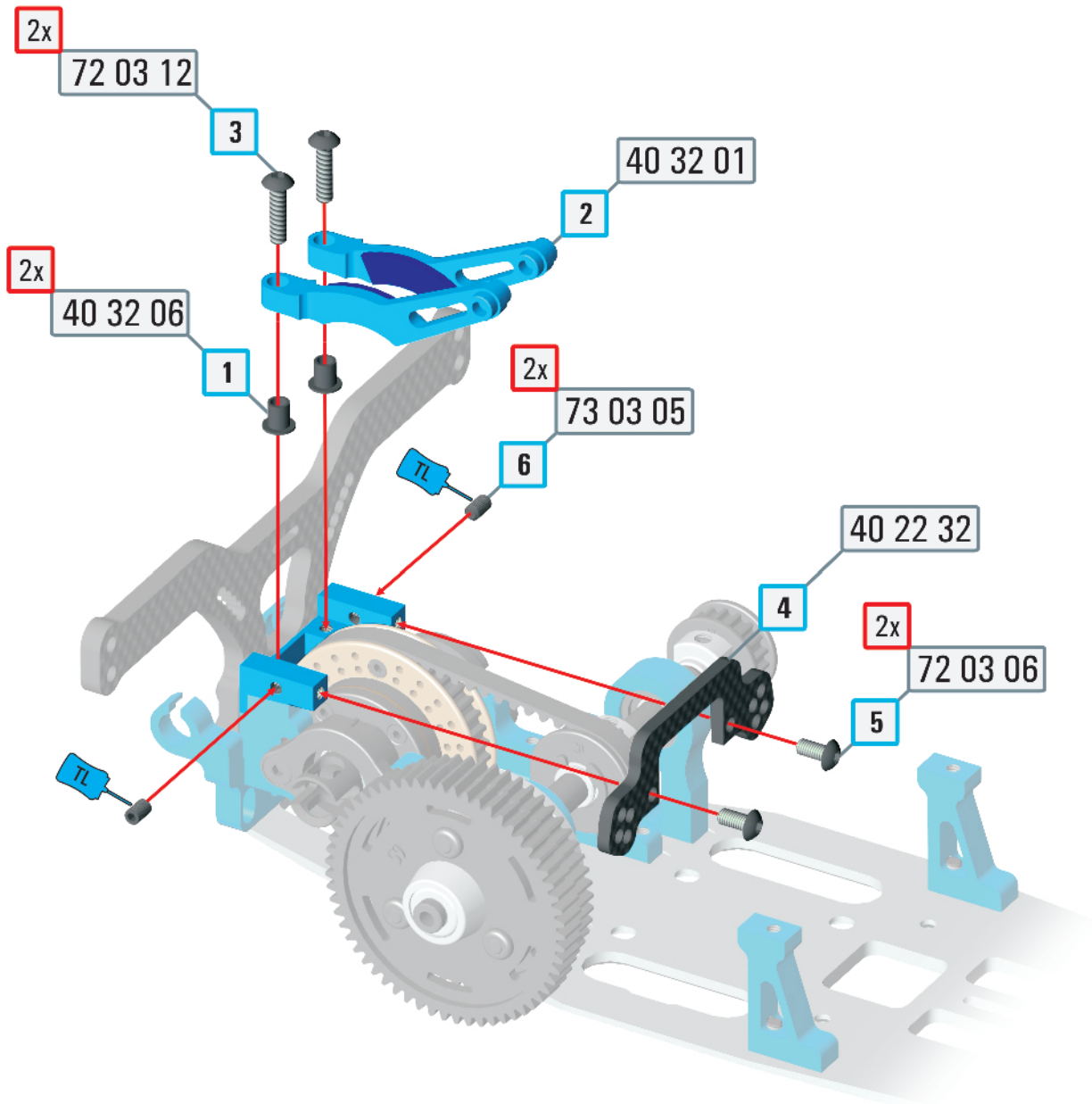
40 35 11	Pulley adapter - light	2
40 61 01	Pulley 19T and shim	1
40 61 05	Pulley 25T and shim	1
50 61 19	Shaft middle block aluminium	1
73 04 03	Allen set screw M4x3	2
76 01 08	Circlip 8mm	2
79 00 13	Bushing 13mm bearing	2
79 06 135	Ball-bearing 6x13x5	2

## Instruction

Make sure that the shaft has minimal axial play and moves freely.

**Option-Part for 40 61 01:**  
50 61 01 Kevlar Pulley 19T

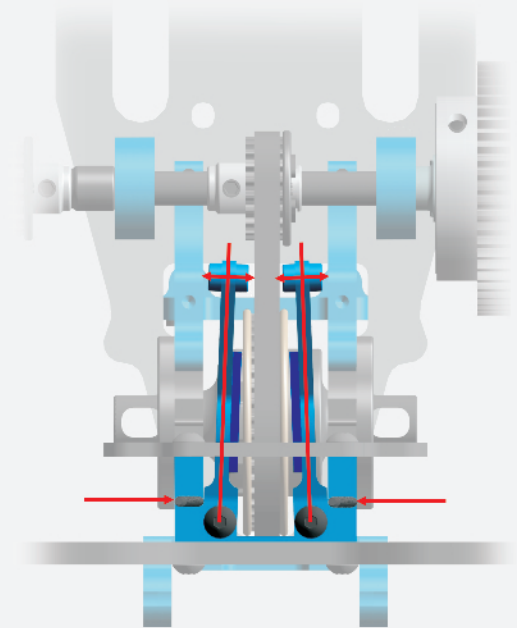
**Option-Part for 40 61 05:**  
50 61 05 Kevlar Pulley 25T



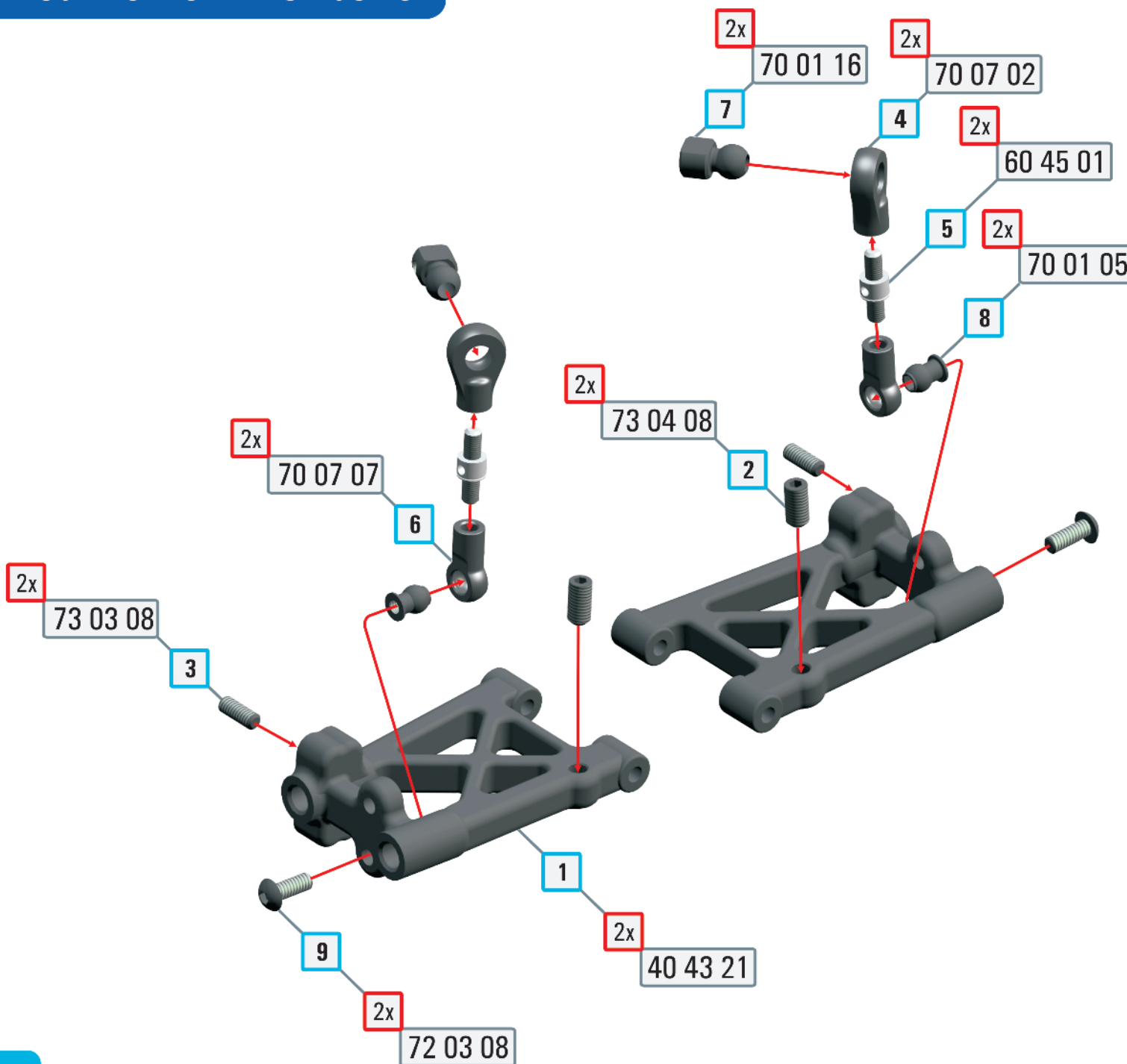
40 22 32	Rear upper arm mount plate	1
40 32 01	Brake lever (r+l)	1
40 32 06	Brake lever bushing	2
72 03 06	Hex. buttonhead screw M3x6	2
72 03 12	Hex. buttonhead screw M3x12	2
73 03 05	Allen set screw M3x5	2

### Techtip

With the screws 73 03 05 you can optimize the position of the brake levers.







40 43 21	Lower wishbone rear	2
60 45 01	R/L Turnbuckle anti-roll bar short	2
70 01 05	Pivot ball 4.9mm	2
70 01 16	Pivot ball anti-roll bar 6mm	2
70 07 02	Balljoint 6mm short	2
70 07 07	Balljoint 4.9mm short	2
72 03 08	Hex. buttonhead screw M3x8	2
73 03 08	Allen set screw M3x8	2
73 04 08	Allen set screw M4x8	2



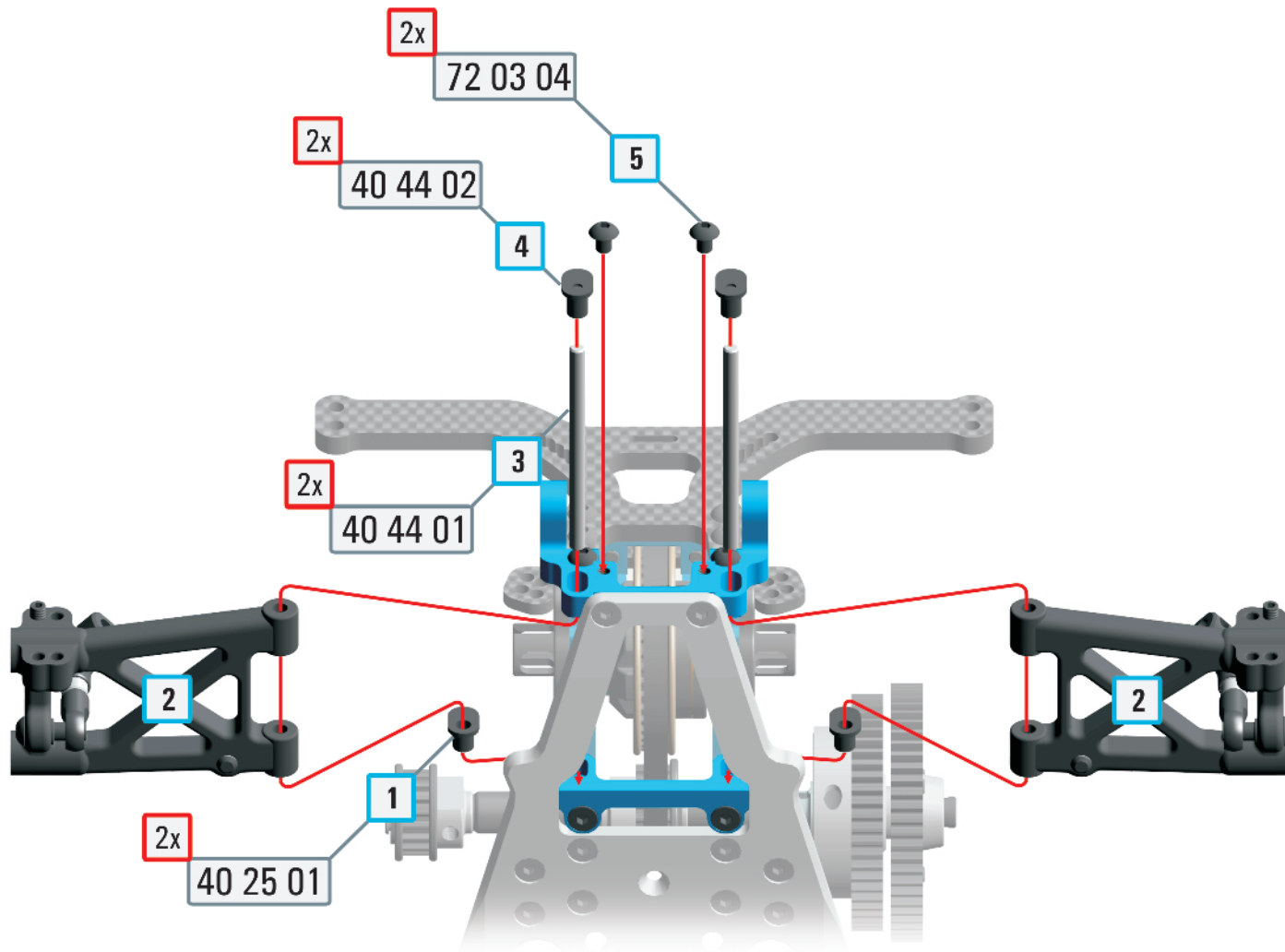
Please shorten the balljoint 70 07 02 to the measure 14.3 mm.

### Instruction

**Anti-roll bar adjustment:**  
With the r/l turnbuckle you can adjust the height of the anti-roll bar. Basic setup is 32,2 mm incl. balljoints.

**Droop adjustment rear:**  
Use the screws 73 04 08 to adjust the rear droop. For basic setup the screws must extend by 1,5 mm.

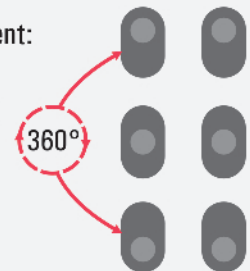
**Option-Part for 40 43 21:**  
50 43 21 Lower wishbone rear - hard



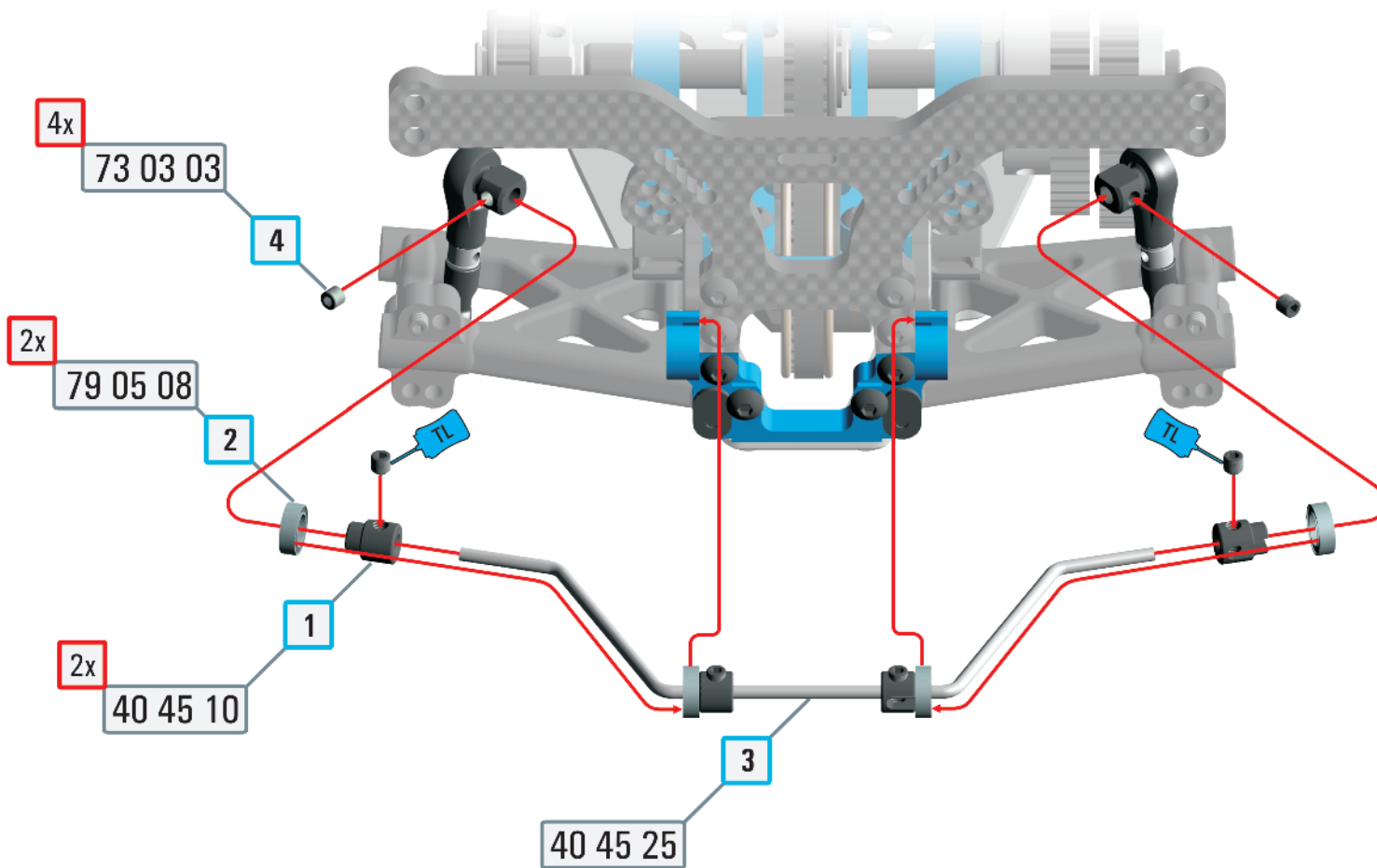
40 25 01	Bushing Set for #402204 (2+2)	2
40 44 01	Hinge pins lower rear	2
40 44 02	Bushing set for #403301 (2+2)	2
72 03 04	Hex. buttonhead screw M3x4	2

### Instruction

Lower rollcenter adjustment:  
For adjusting the rear rollcenter you can change and/or turn around the excentrics. Default position is the lower one.



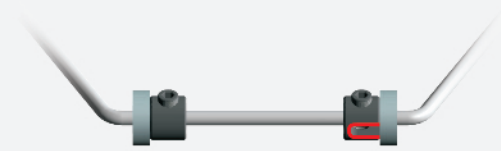
All parts must be free moving after assembly. Please make sure that the wishbones don't touch the chassiplate.



40 45 10	Bushing rear anti-roll bar 2.4mm	2
40 45 25	Anti-roll bar V10 rear 2.1mm	1
73 03 03	Allen set screw M3x3	4
79 05 08	Ball-bearing 5x8x2,5	2

### Instruction

Please make sure that the bushings are mounted in the correct position to prevent them from twisting when the grub screws are tightened.



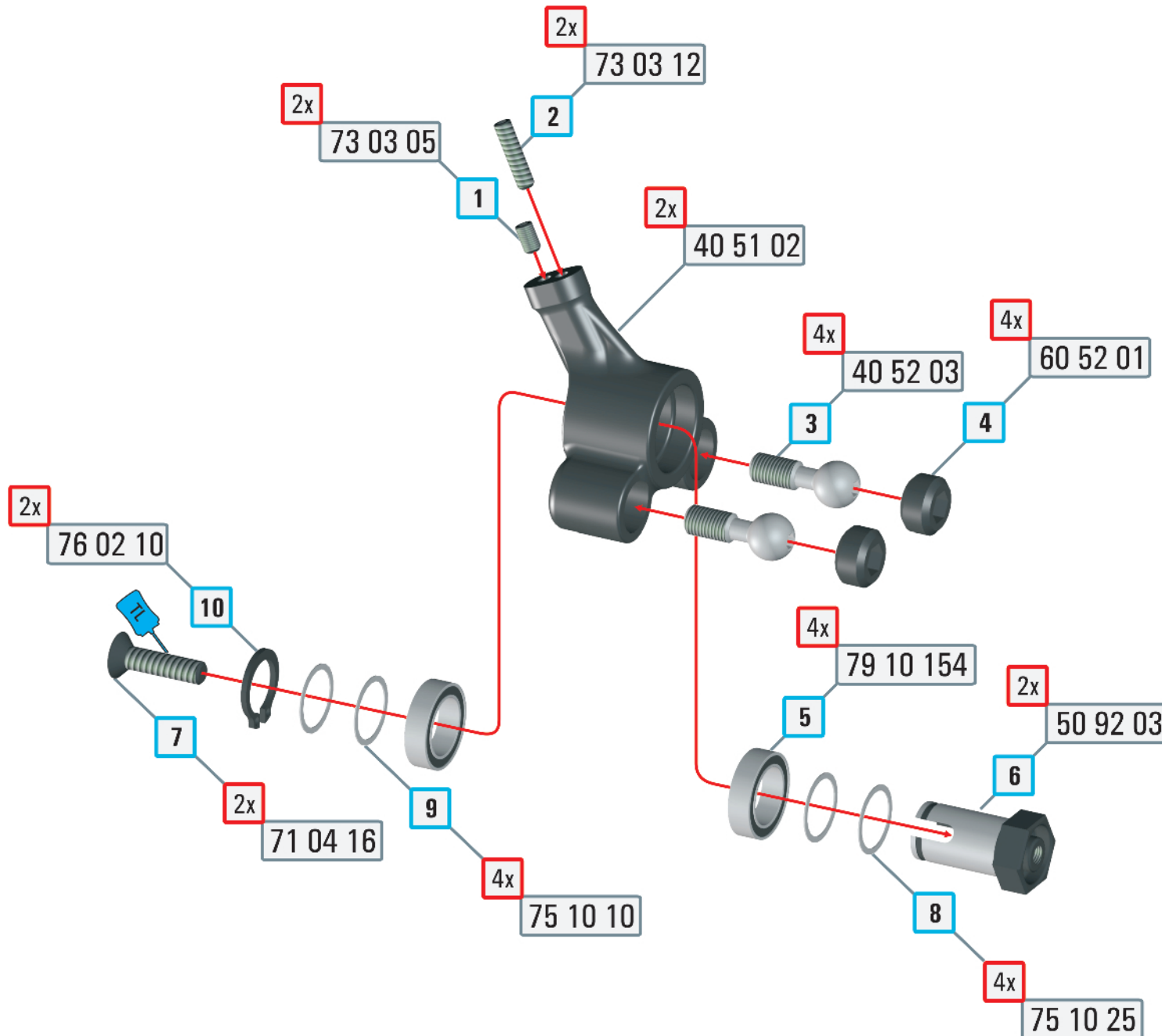
### Option-Part for 40 45 10:

40 45 11 Bushing rear anti-roll bar 2.0mm

### Option-Part for 40 45 25:

40 45 24 Anti-roll bar V10 rear 2.3mm

40 45 26 Anti-roll bar V10 rear 1.9mm



40 51 02	Upright rear	2
40 52 03	Pivotball short	4
50 92 03	Wheel axle for dogbones	2
60 52 01	Adjusting nut Pivotball	4
71 04 16	Hex. countersunk screw M4x16	2
73 03 05	Allen set screw M3x5	2
73 03 12	Allen set screw M3x12	2
75 10 10	Adjusting shim 10x12x0,1	4
75 10 25	Adjusting shim 10x12x0,25	4
76 02 10	Retaining ring 10mm	2
79 10 154	Ball-bearing 10x15x4	4

### Instruction

With the shims 75 10 25 and 75 10 10 you can adjust the rear offset.

After assembling the parts make sure the pivotballs and wheelaxle are moving freely.

### Option-Part for 40 52 03:

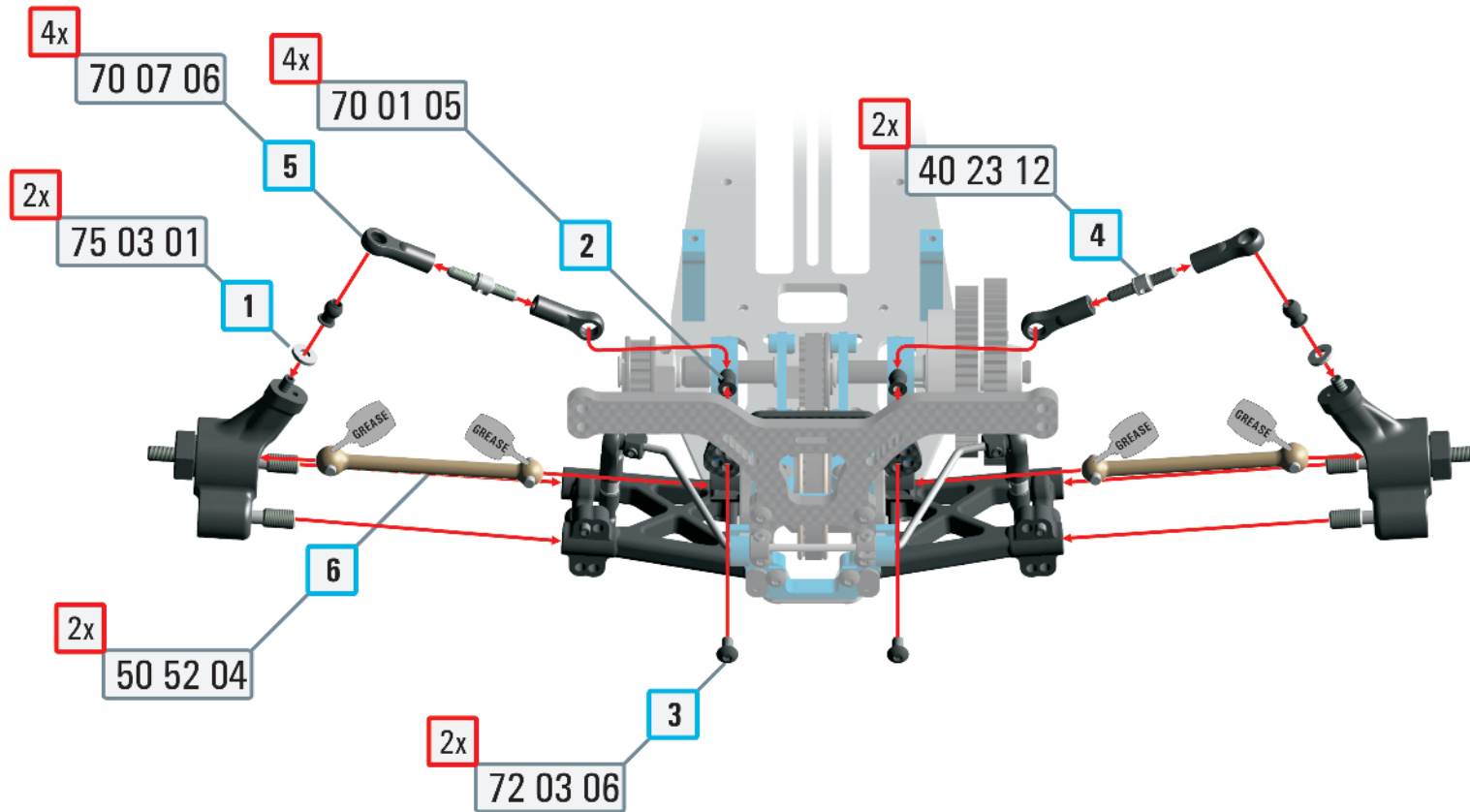
BR 1008 Brilliant RC alu pivot ball 8mm short

### Option-Part for 50 92 03:

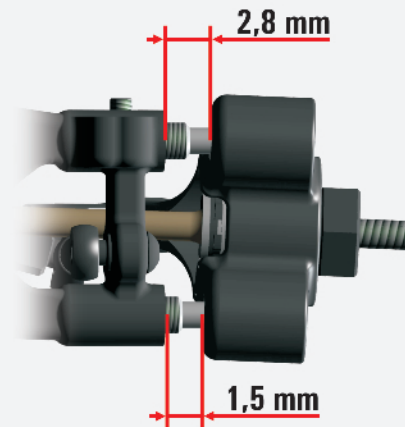
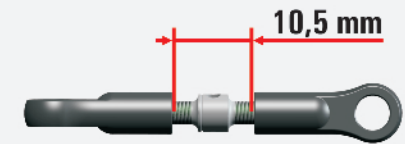
50 92 02 Wheel axle for dogbones -1mm

### Optional Rear CVD:

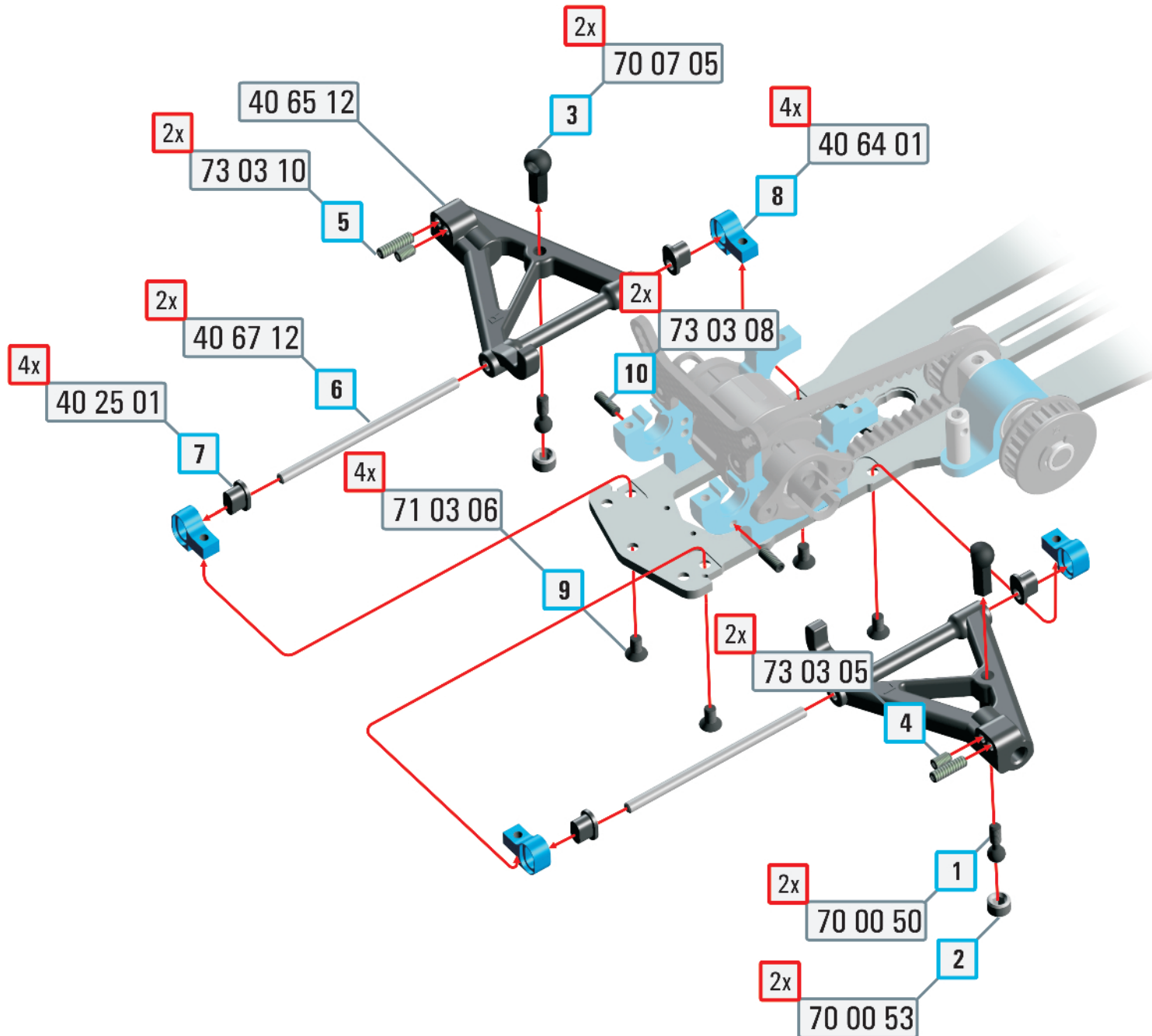
- 50 00 37 CVD rear complete + wheelaxle
- 50 92 13 Wheel axle aluminium hardcoated
- 50 92 33 Wheel axle aluminium -1mm hardcoated



40 23 12	Turnbuckle 3x20	2
50 52 04	Driveshaft aluminium rear	2
70 01 05	Pivot ball 4.9mm	4
70 07 06	Balljoint 4.9mm long	4
72 03 06	Hex. buttonhead screw M3x6	2
75 03 01	Shims M3x1	2



# Front lower wishbones

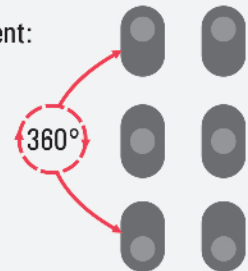


# BAG 6 STEP 1

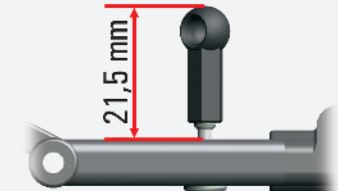
40 25 01	Bushing Set for #402204 (2+2)	4
40 64 01(B)	Hing pin bracket lower front	4
40 65 12	Wishbone lower front (r+l)	1
40 67 12	Hinge pins lower front	2
70 00 50	Pivotball anti-roll bar	2
70 00 53	Adjusting nut pivotball M6	2
70 07 05	Balljoint 4mm	2
71 03 06	Hex. countersunk screw M3x6	4
73 03 05	Allen set screw M3x5	2
73 03 08	Allen set screw M3x8	2
73 03 10	Allen set screw M3x10	2

## Instruction

Lower rollcenter adjustment:  
For adjusting the rear rollcenter you can change and/or turn around the excentrics. Default position is the lower one.



For an easier (dis-)assembly of the roll bars we recommend to drill a 2,5 mm hole into the balljoint.

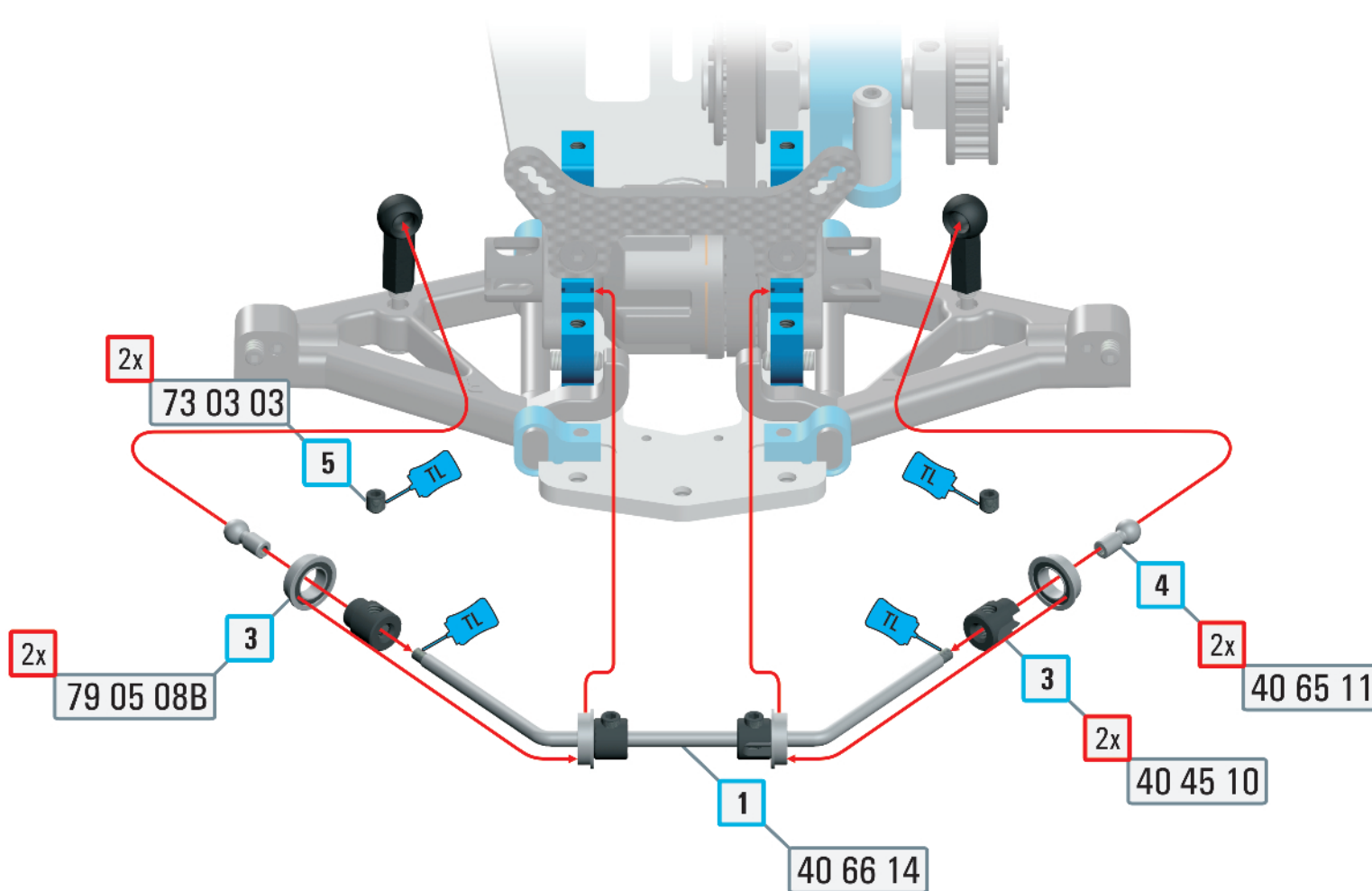


### Option-Part for 40 65 12:

50 65 12 Wishbone lower front hard (r+l)







40 45 10	Bushing rear anti-roll bar 2.4mm	2
40 65 11	Uniball front anti-roll bar	2
40 66 14	Anti-roll bar front soft 2,3mm	1
73 03 03	Allen set screw M3x3	2
79 05 08B	Ball-bearing 5x8x2,5 flanged	2

### Instruction

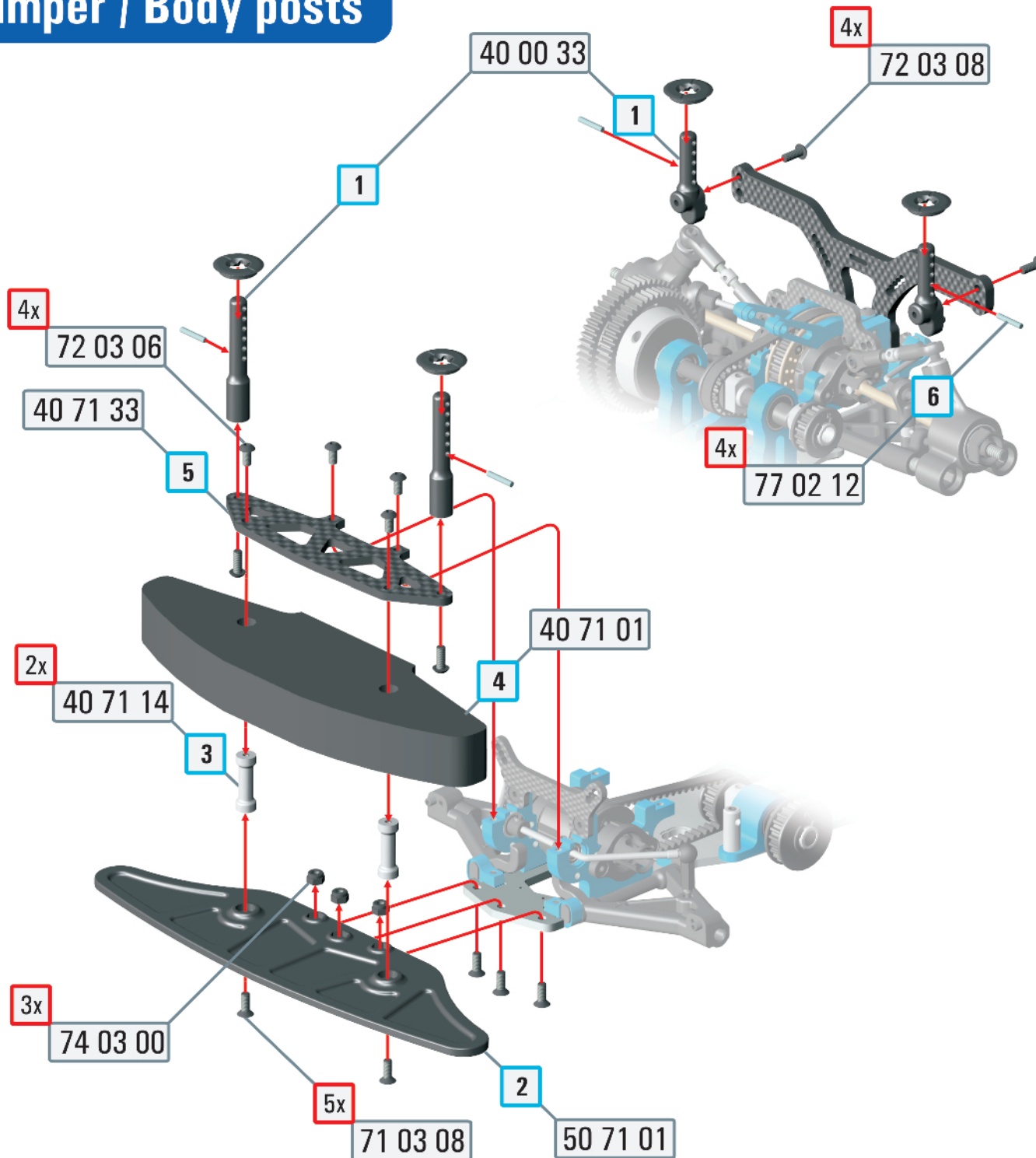
Please make sure that the bushings are mounted in the correct position to prevent them from twisting when the grub screws are tightened.



### Option-Part for 40 66 14:

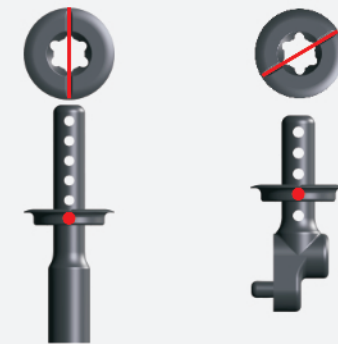
- 40 66 13 Anti-roll bar front medium 2,2mm
- 40 66 15 Anti-roll bar front hard 2,4mm

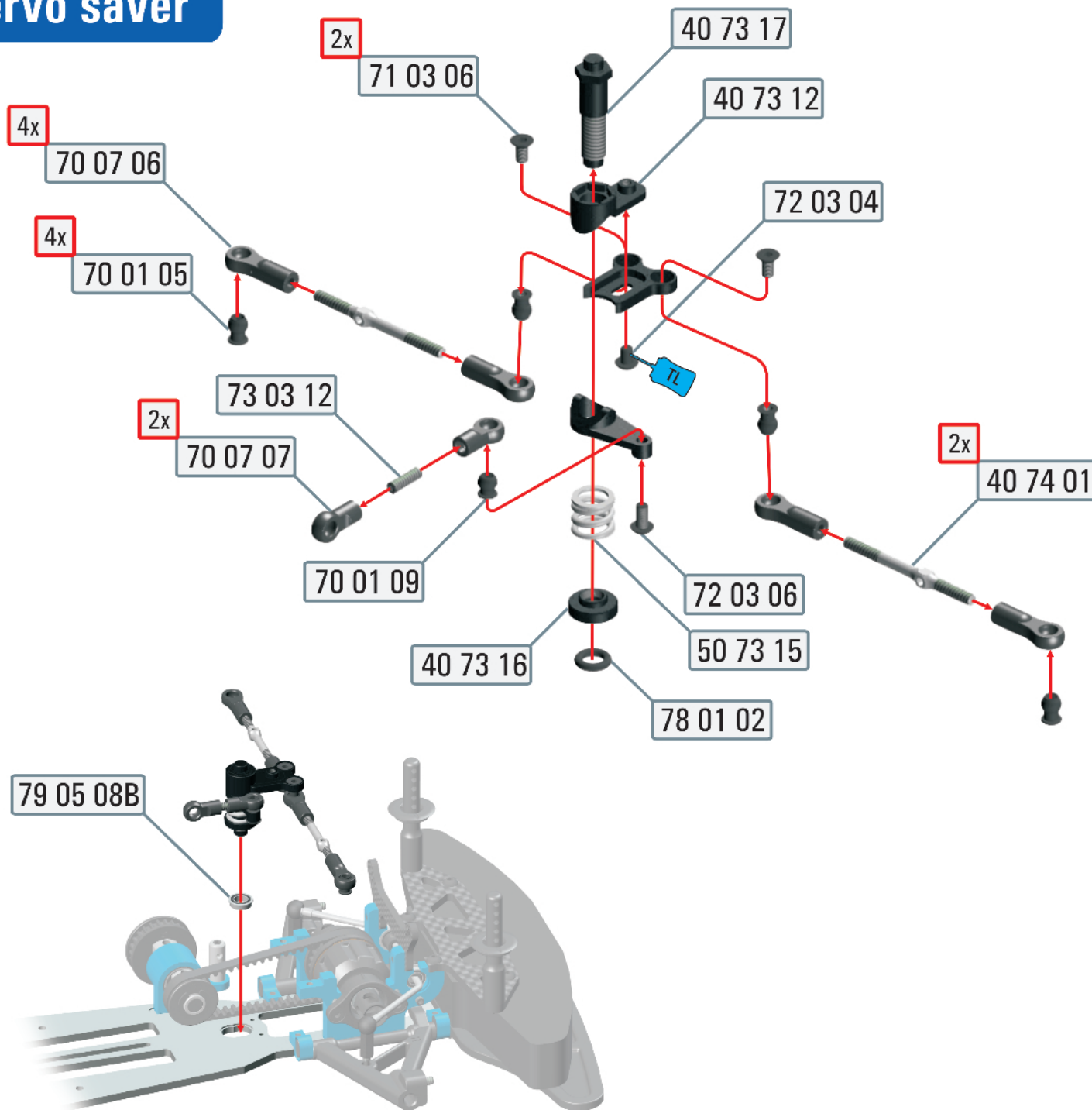




40 00 33	Body post set complete	1
40 71 01	Front bumper foam	1
40 71 14	Body mount plate support	2
40 71 33	Body mount plate front carbon	1
50 71 01	Front bumper wide composite	1
71 03 08	Hex. countersunk screw M3x8	5
72 03 06	Hex. buttonhead screw M3x6	4
72 03 08	Hex. buttonhead screw M3x8	4
74 03 00	Self-locking nut M3 black	3
77 02 12	Pin 2x12mm	4

Default position

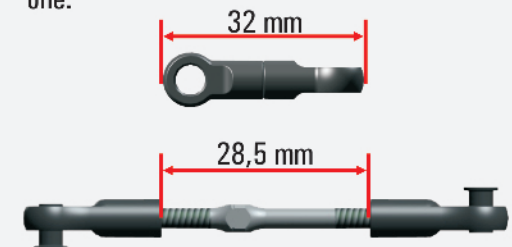




40 73 12(B)	Servo saver parts alu (1 + 1 + 1)	1
40 73 16(B)	Servo saver preload nut	1
40 73 17(B)	Servo saver shaft	1
40 74 01	R/L turnbuckle steering 40mm	2
50 73 15	Servos saver spring hard	1
70 01 05	Pivot ball 4.9mm	4
70 01 09	Pivot ball 4.9mm short	1
70 07 06	Balljoint 4.9mm long	4
70 07 07	Balljoint 4.9mm short	2
71 03 06	Hex. countersunk screw M3x6	2
72 03 04	Hex. buttonhead screw M3x4	1
72 03 06	Hex. buttonhead screw M3x6	1
73 03 12	Allen set screw M3x12	1
78 01 02	O-ring floating piston	1
79 05 08B	Ball-bearing 5x8x2,5 flanged	1

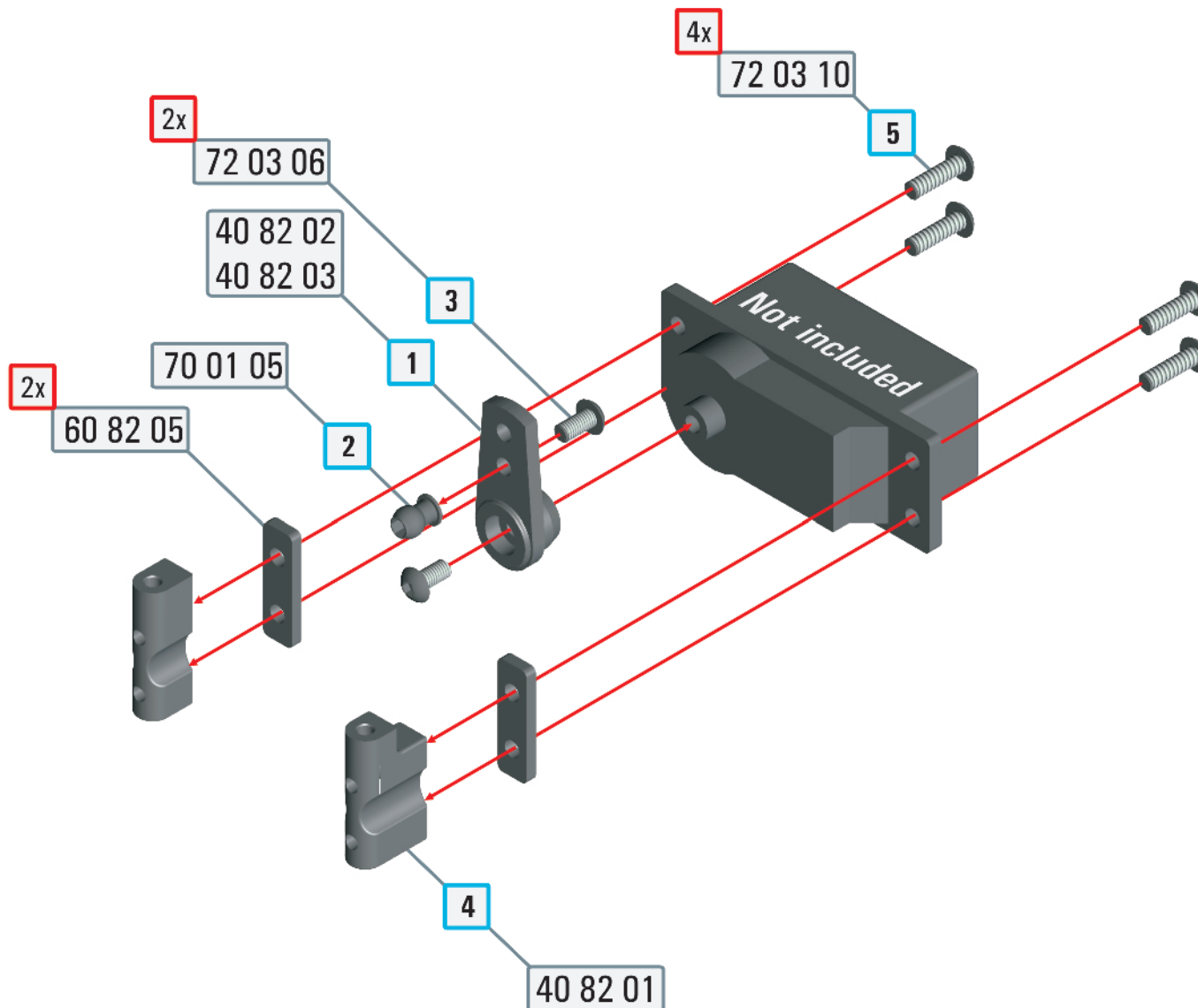
### Instruction

The default servo saver position is the front one.



### Optional Servo saver plate:

50 73 13 Servo saver ackermann plate 8mm



40 82 01	Servomount steering (1 + 1)	1
40 82 02	Servoarm Kopropo/Sanwa (23T)	1
40 82 03	Servoarm Futaba (25T)	1
60 82 05	Shims for servomount	2
70 01 05	Pivot ball 4.9mm	1
72 03 06	Hex. buttonhead screw M3x6	2
72 03 10	Hex. buttonhead screw M3x10	4

### Instruction

Depending on the used servo you have to adjust the gap between servoarm and fuel tank with the shims 60 82 05.

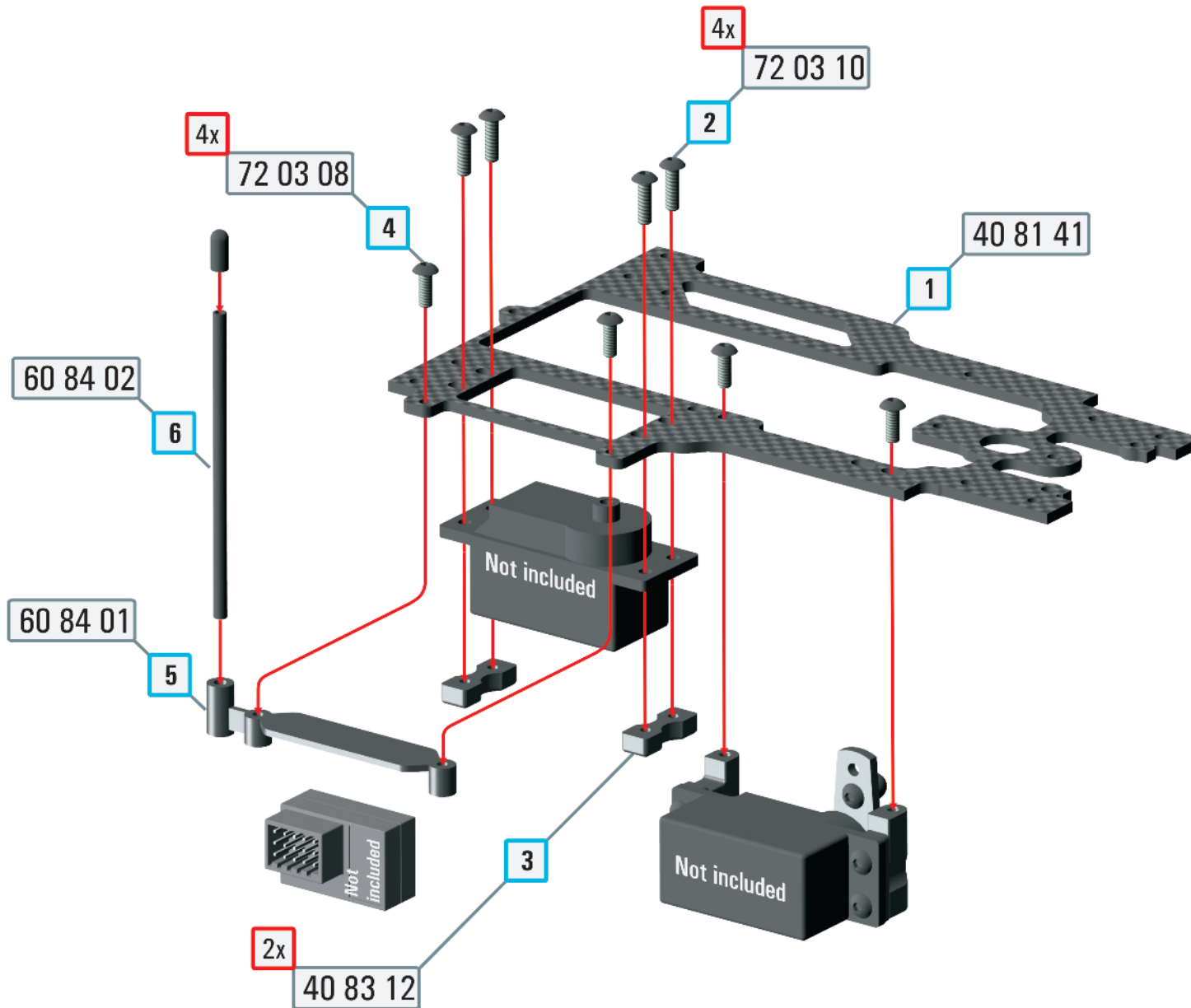
### Option-Part for 40 82 01:

50 82 01(B) Servomount steering V10 aluminium

### Option-Part for 40 82 02 / 40 82 03:

50 82 02 Servoarm 15mm Kopropo/Sanwa (23T)

50 82 03 Servoarm 15mm Futaba (25T)



40 81 41	Radioplatte carbon	1
40 83 12	Servo holder	2
60 84 01	Receiver bracket	1
60 84 02	Antenna rod with cap	1
72 03 08	Hex. buttonhead screw M3x8	4
72 03 10	Hex. buttonhead screw M3x10	4

### Instruction

The default steering servo position is the front one.

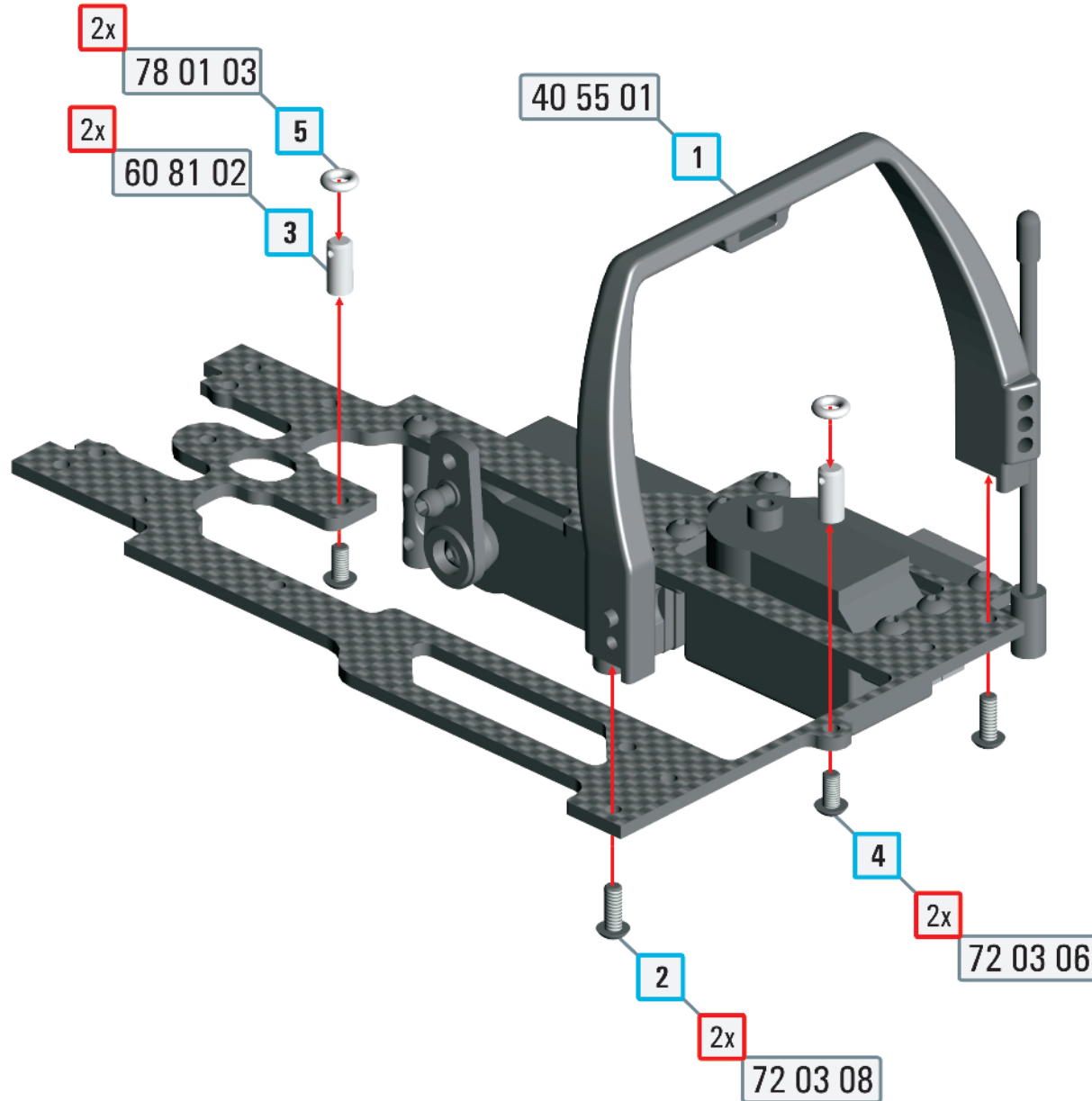
For the rear position it is maybe necessary to cut the housing of the gas servo.

Standard size gas servos must be mounted from the top.

Use tape or something similar to fix the receiver on the receiver bracket.

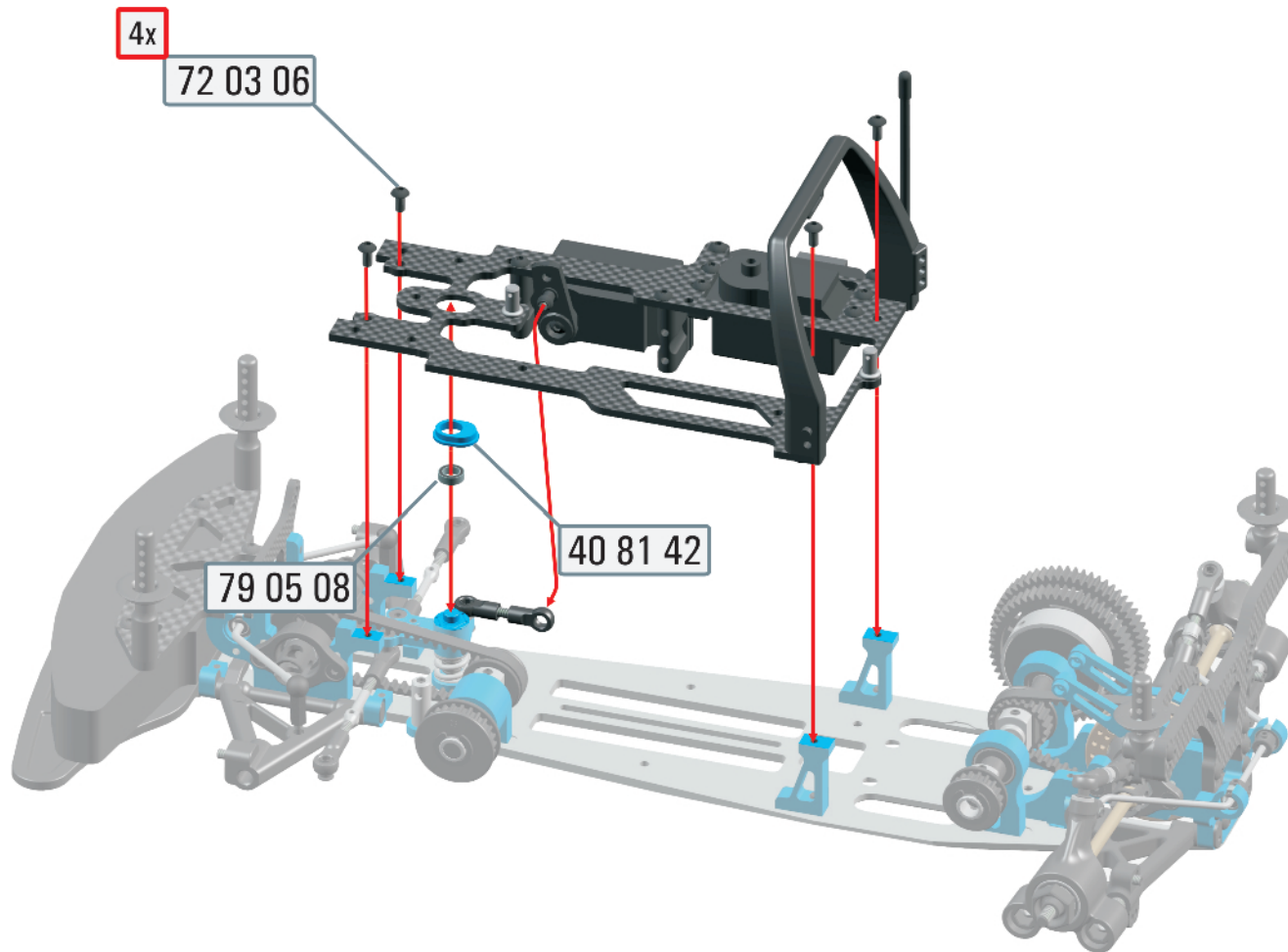
**Option-Part for 40 81 41:**  
50 81 41 Radioplatte 3mm carbon

**Option-Part for 60 84 01:**  
50 84 01 Receiver box



- |          |                            |   |
|----------|----------------------------|---|
| 40 55 01 | Roll-over bar              | 1 |
| 60 81 02 | Mounting-pins fueltank     | 2 |
| 72 03 06 | Hex. buttonhead screw M3x6 | 2 |
| 72 03 08 | Hex. buttonhead screw M3x8 | 2 |
| 78 01 03 | O-ring piston rod          | 2 |

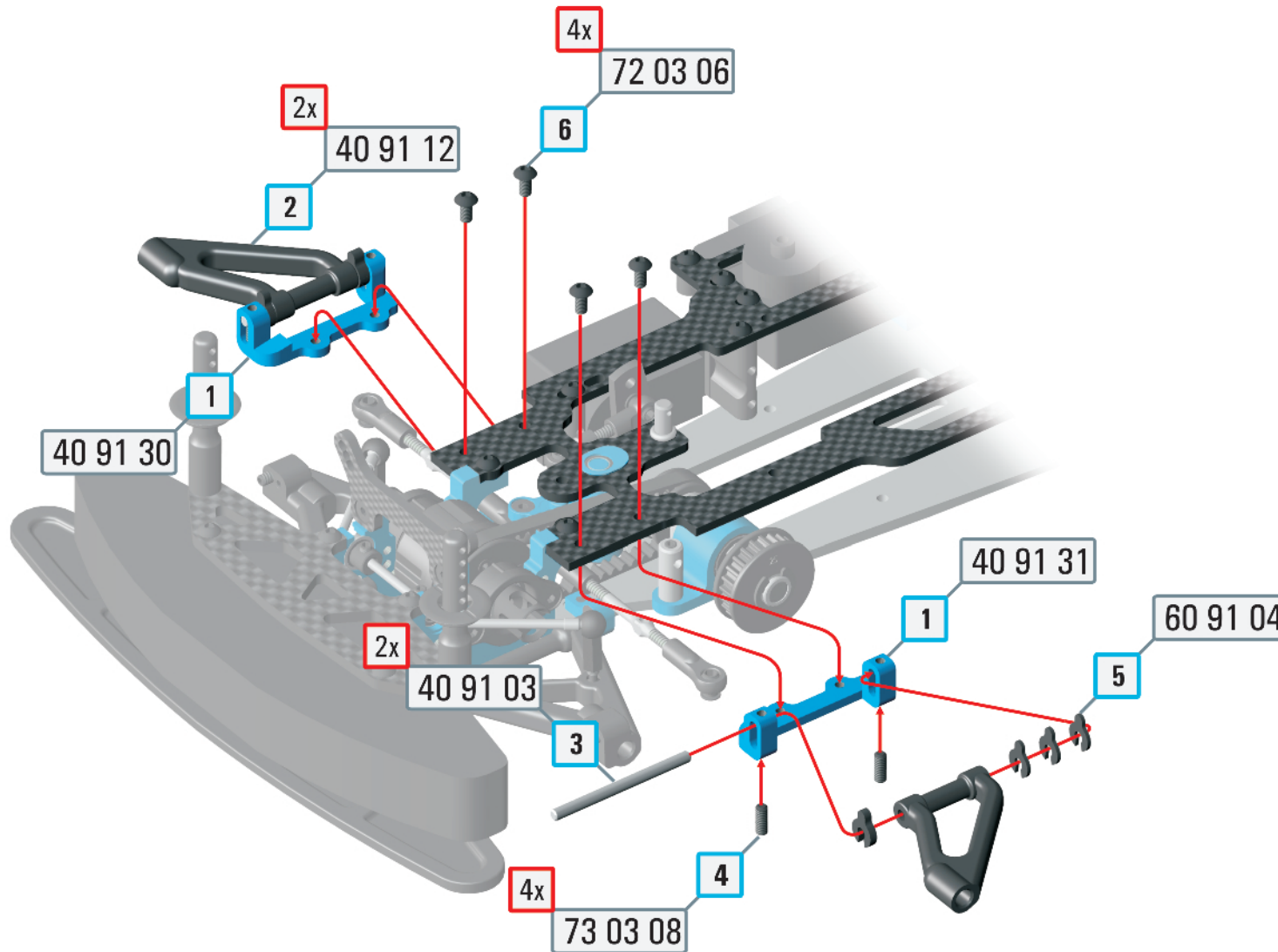




40 81 42(B)	Excenter servosaver	1
72 03 06	Hex. buttonhead screw M3x6	4
79 05 08	Ball-bearing 5x8x2,5	1

### Techtip

To remove excessiv playin the part, use a small amount of superglue to fix the excenter insert in the desired position into the radioplate.



40 91 03	Hinge pins upper front	2
40 91 12	Wishbone upper front	2
40 91 30(B)	Suspension bracket right	1
40 91 31(B)	Suspension bracket left	1
60 91 04	Caster spacer set	1
72 03 06	Hex. buttonhead screw M3x6	4
73 03 08	Allen set screw M3x8	4

### Instruction

With the screws 73 03 08 you can adjust the top rollcenter pin.

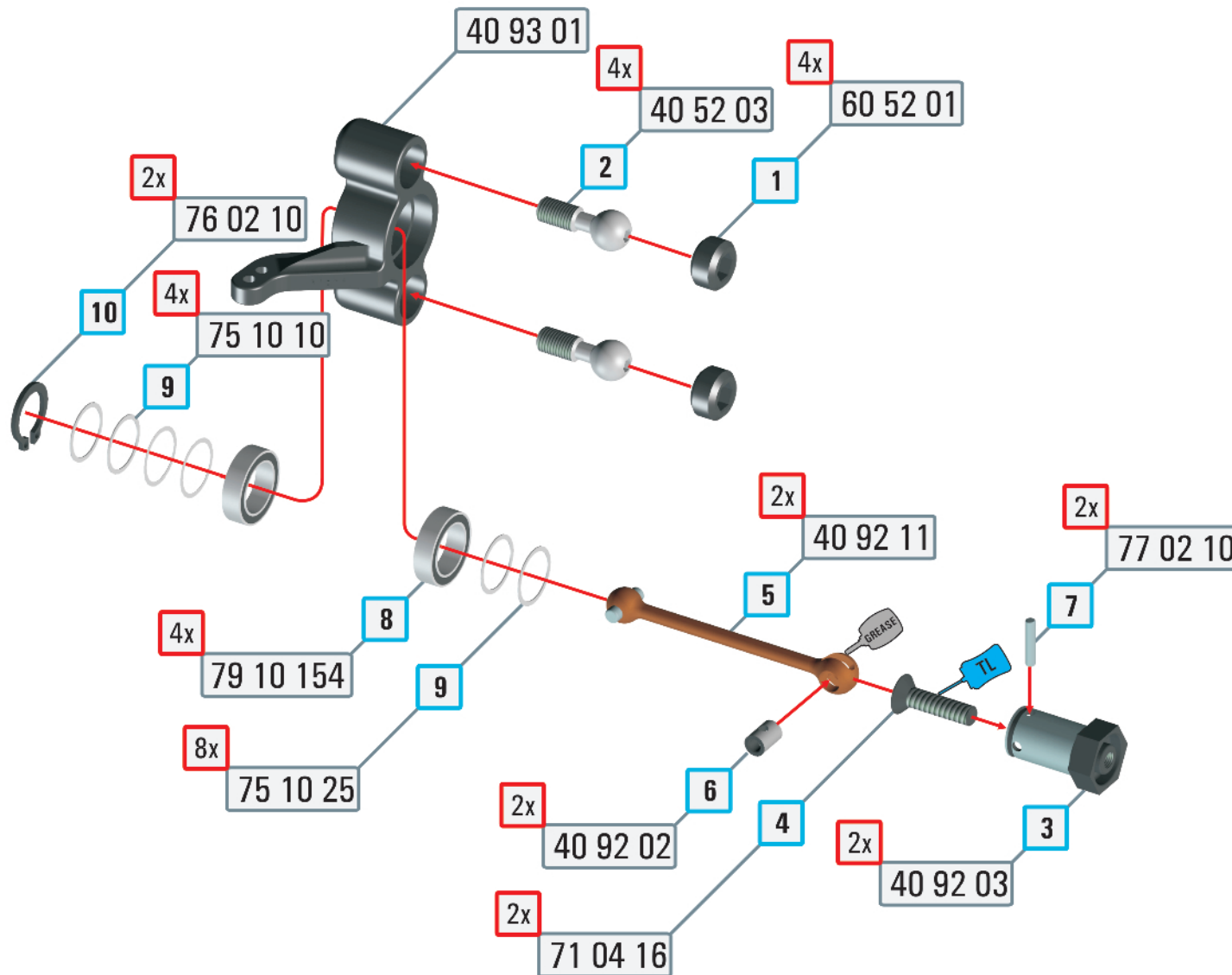
The default position is the top one. To adjust to the lower position you only have to mount the set screws from the top

All parts must be free moving after assembly.

### Option-Part for 40 91 12:

50 91 12 Wishbone upper front hard





40 52 03	Pivotball short	4
40 92 02	Driveshaft insert hardened	2
40 92 03	Wheel axle for CVD	2
40 92 11	CVD front	2
40 93 01	Uprights front (r+l)	1
60 52 01	Adjusting nut Pivotball	4
71 04 16	Hex. countersunk screw M4x16	2
75 10 10	Adjusting shim 10x12x0,1	4
75 10 25	Adjusting shim 10x12x0,25	8
76 02 10	Retaining ring 10mm	2
77 02 10	Pin 2x10mm	2
79 10 154	Ball-bearing 10x15x4	4

### Techtip

With the shims 75 10 10 and 75 10 25 you can adjust the front offset.

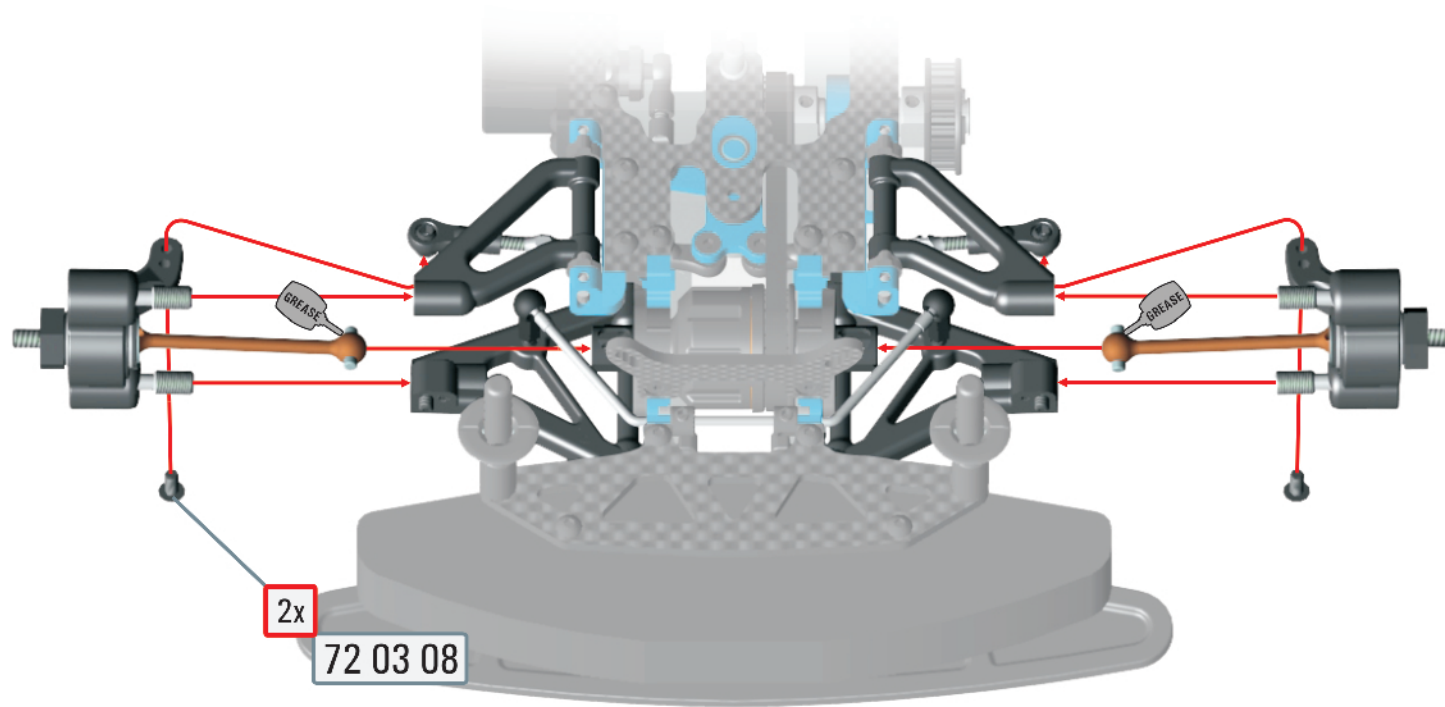
All parts must be free moving after assembly.

### Option-Part for 40 92 03:

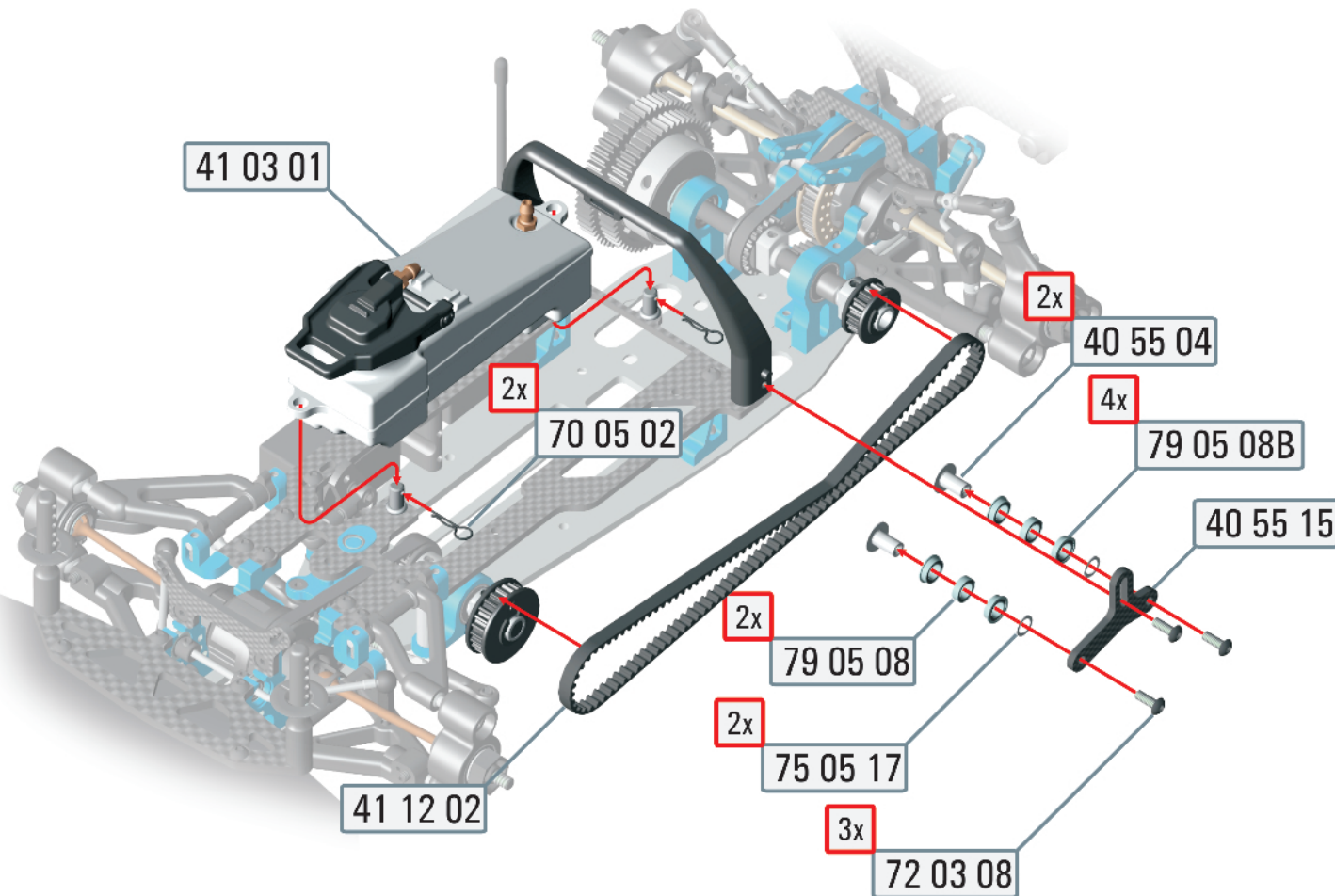
- 50 92 13 Wheel axle aluminium hardcoated
- 50 92 33 Wheel axle aluminium -1mm hardcoated

### Option-Part for 40 52 03:

- BR 1008 Brilliant RC alu pivot ball 8mm short

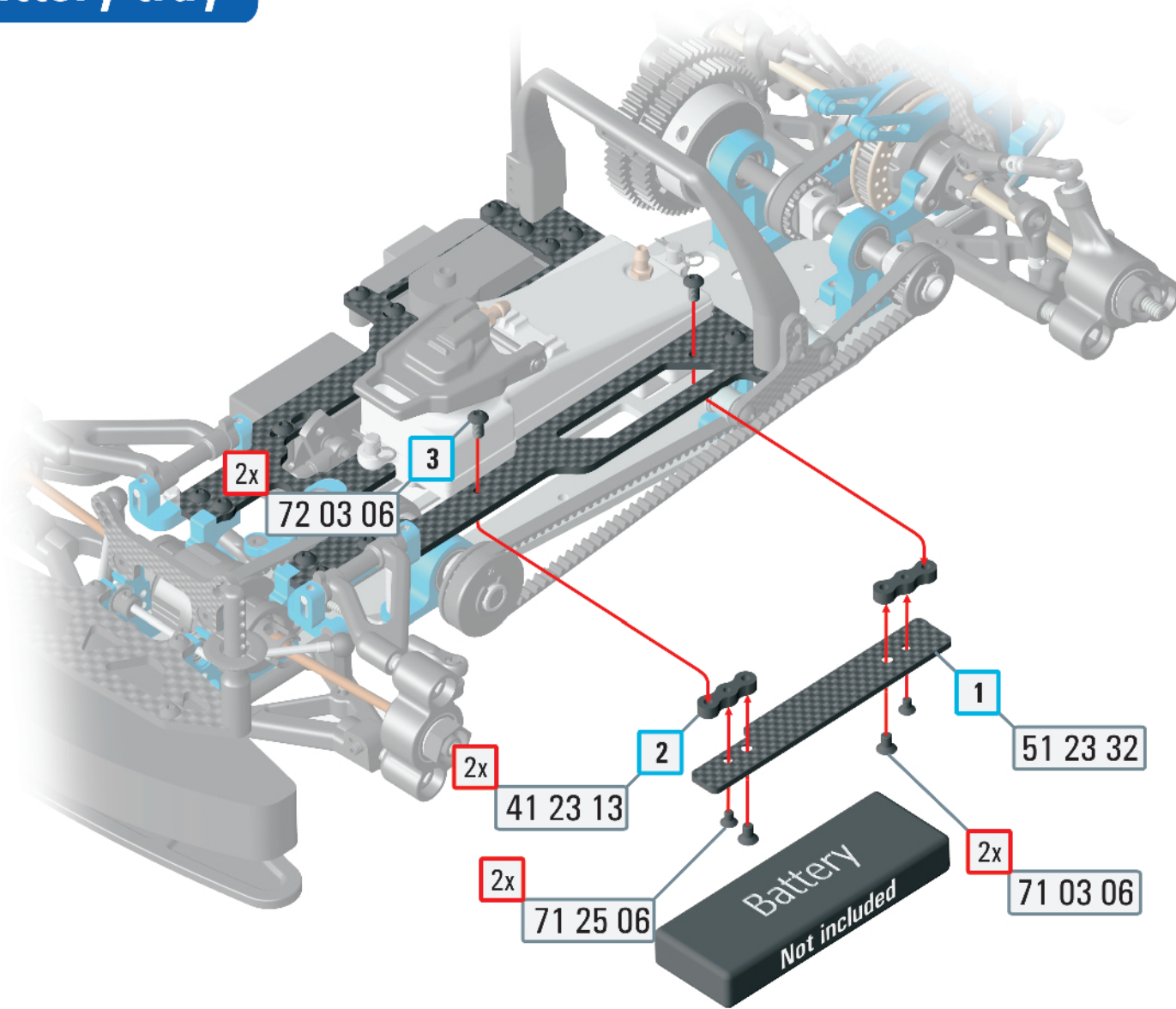


72 03 08 Hex. buttonhead screw M3x8 2



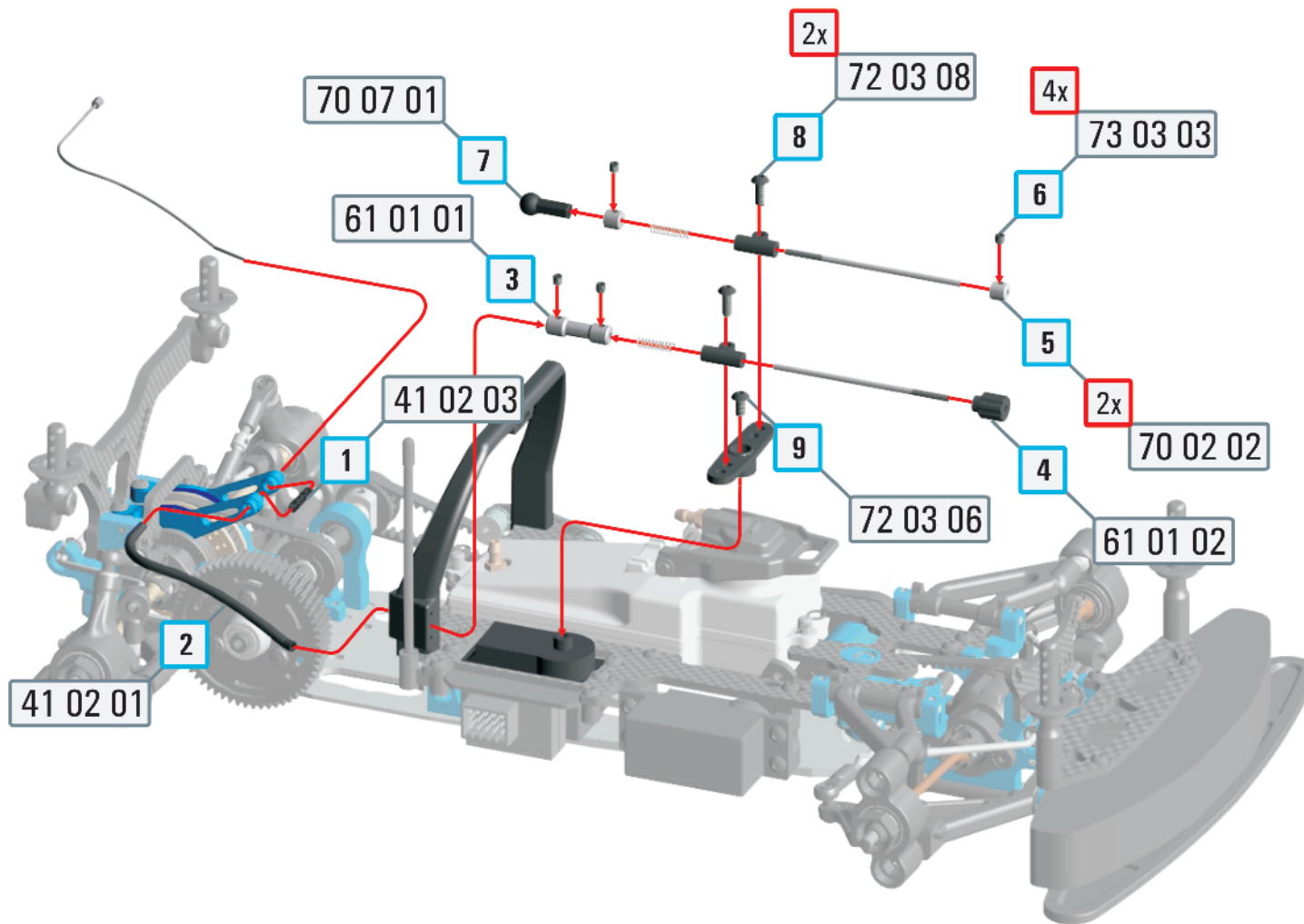
40 55 04	Middle belt tensioner	2
40 55 15	Belt tensioner mount carbon	1
41 03 01	Fuel tank complete	1
41 12 02	Middle belt	1
70 05 02	Body-clips small	2
72 03 08	Hex. buttonhead screw M3x8	3
75 05 17	Adjusting shim 5x7x0.5	2
79 05 08	Ball-bearing 5x8x2,5	2
79 05 08B	Ball-bearing 5x8x2,5 flanged	4

**Option-Part for 41 03 01:**  
61 03 08 Fuel tank inserts (1 + 1)



41 23 13	Battery plate mount	2
51 23 32	Side battery tray AWS carbon	1
71 03 06	Hex. countersunk screw M3x6	2
71 25 06	Hex. countersunk screw M2,5x6	2
72 03 06	Hex. buttonhead screw M3x6	2

**Instruction**  
Use tape or something similar to fix the battery on the battery tray.

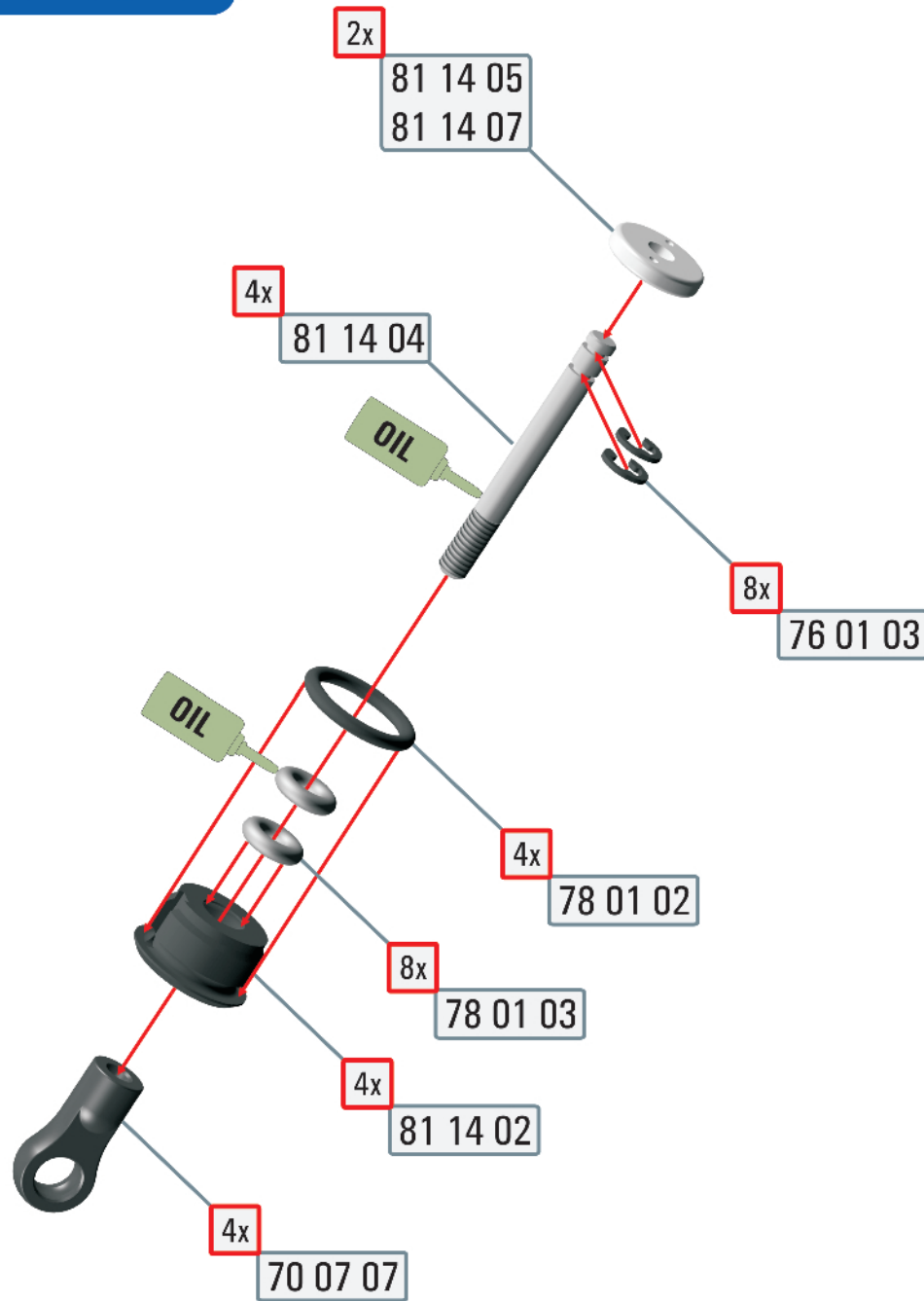


41 02 01	Brakewire & tube	1
41 02 03	Spring for brakelevers	1
61 01 01	Linkage brakewire	1
61 01 02	Linkage set throttle/brake	1
70 02 02	Collar alu 2mm	2
70 07 01	Balljoint carburator	1
72 03 06	Hex. buttonhead screw M3x6	1
72 03 08	Hex. buttonhead screw M3x8	2
73 03 03	Allen set screw M3x3	4

### Techtip

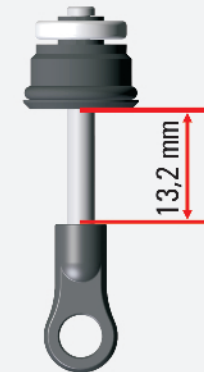
When you adjust the braking force make sure that the drivetrain is never completely blocked. Otherwise the lifetime of the belts is shortened significantly.





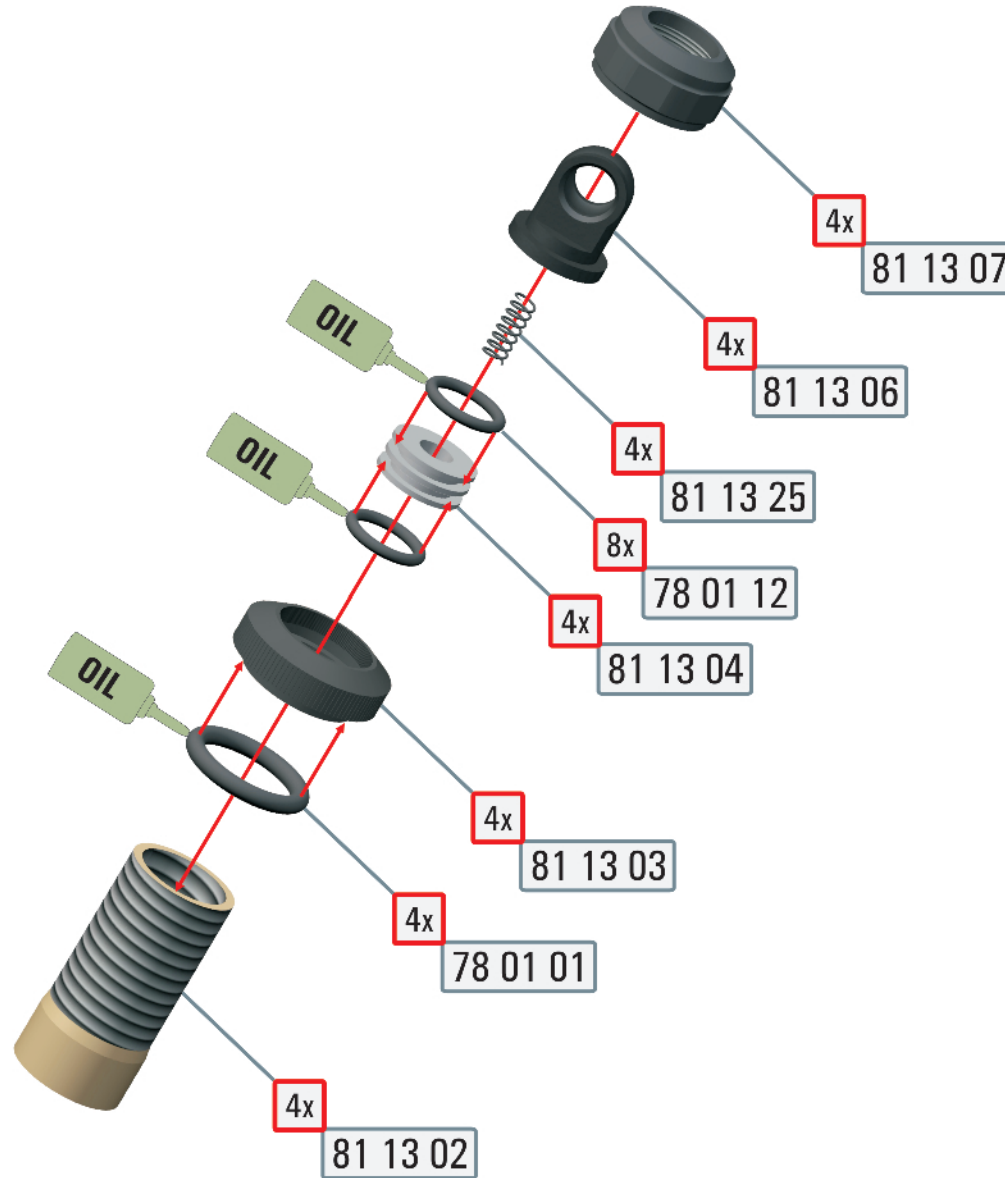
70 07 07	Balljoint 4.9mm short	4
76 01 03	Circlip 3mm	8
78 01 02	O-ring floating piston	4
78 01 03	O-ring piston rod	8
81 14 02	Screw shock bottom	4
81 14 04	Piston rod short	4
81 14 05	Piston 2-hole - 1,0mm	2
81 14 07	Piston 3-hole - 1,0mm	2

### Instruction



Option-Part for 81 14 05 / 81 14 07:  
81 14 06 Piston 1-hole - 1,0mm





78 01 01	O-ring for preload nut	4
78 01 12	O-ring floating piston	8
81 13 02	Body shock absorber short	4
81 13 03	Preload adjust. nut	4
81 13 04	Floating piston	4
81 13 06	Ball cap shock absorber	4
81 13 07	End cap shock absorber	4
81 13 25	Spring floating piston extra-soft	4

### Instruction

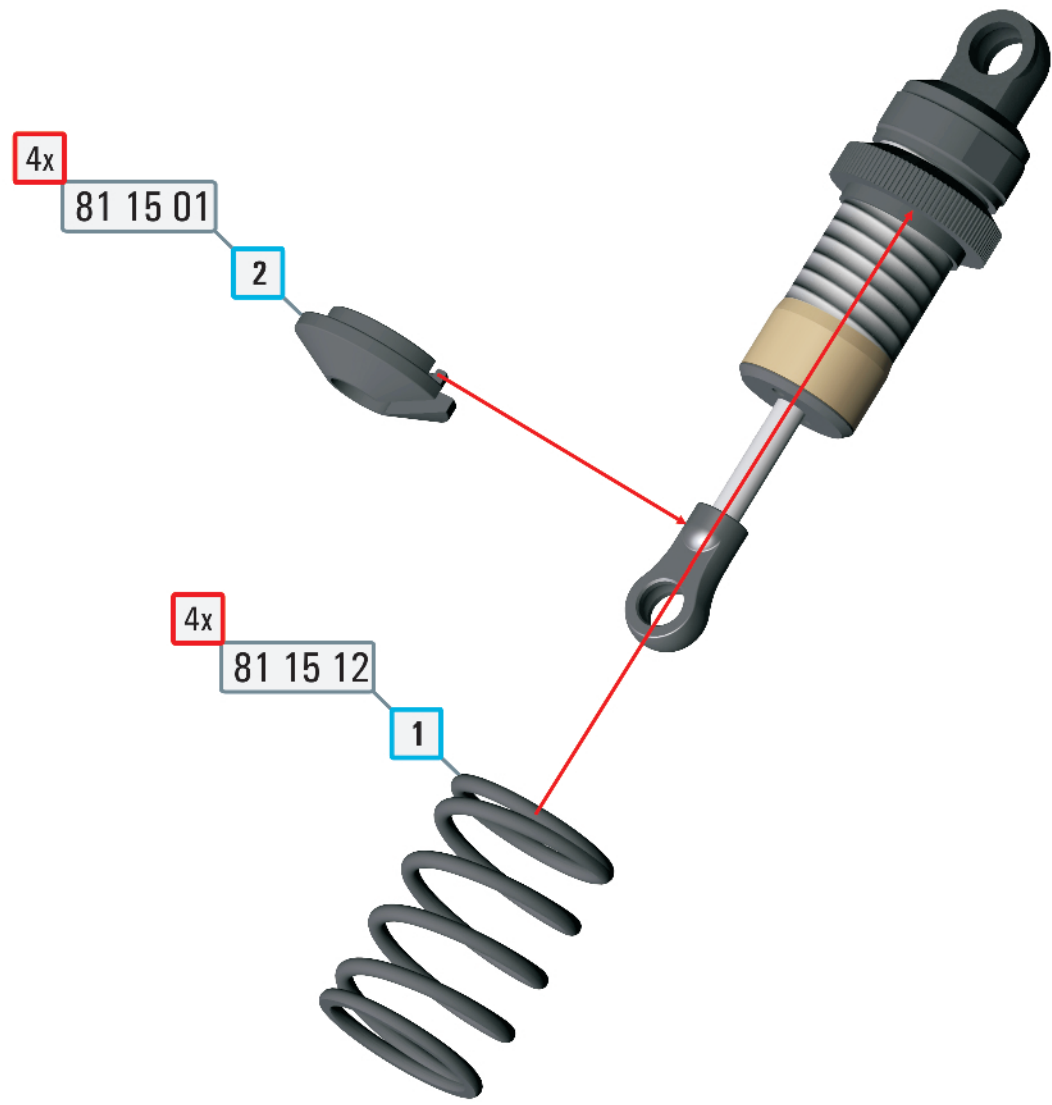
Push the floating piston down to ensure a correct position. Then fill up the shocks with the included shockoil up to the thread. Let the oil settle and allow the air bubbles to escape.



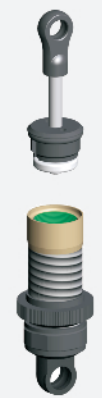
### Option-Part for 81 13 25:

- 81 13 15 Spring floating piston soft
- 81 13 35 Spring floating piston super-soft

81 15 01	Shock absorber spring plate	4
81 15 12	Shock spring front extra soft	4



### Instruction

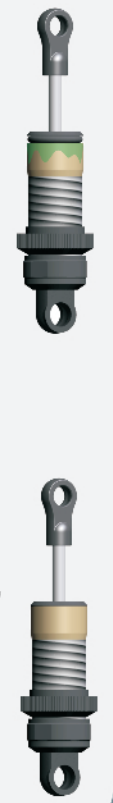


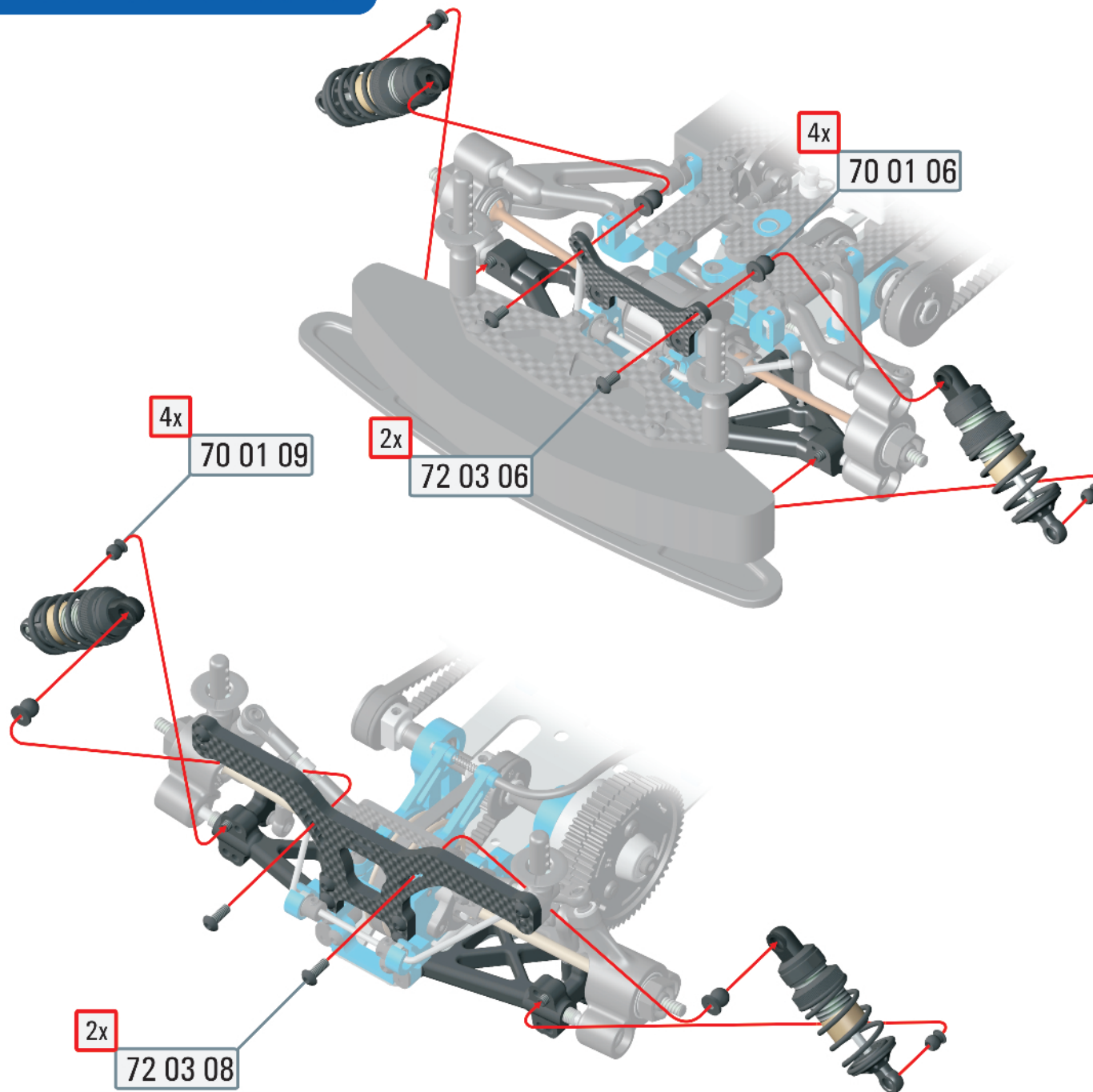
Mount these two parts but do not tighten the shockbottom screw totally. Some oil should come out now.



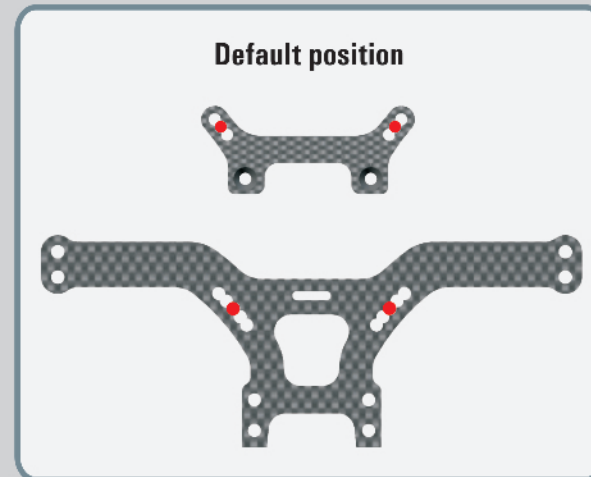
Push the piston into the shock body so oil will bleed out the channel.

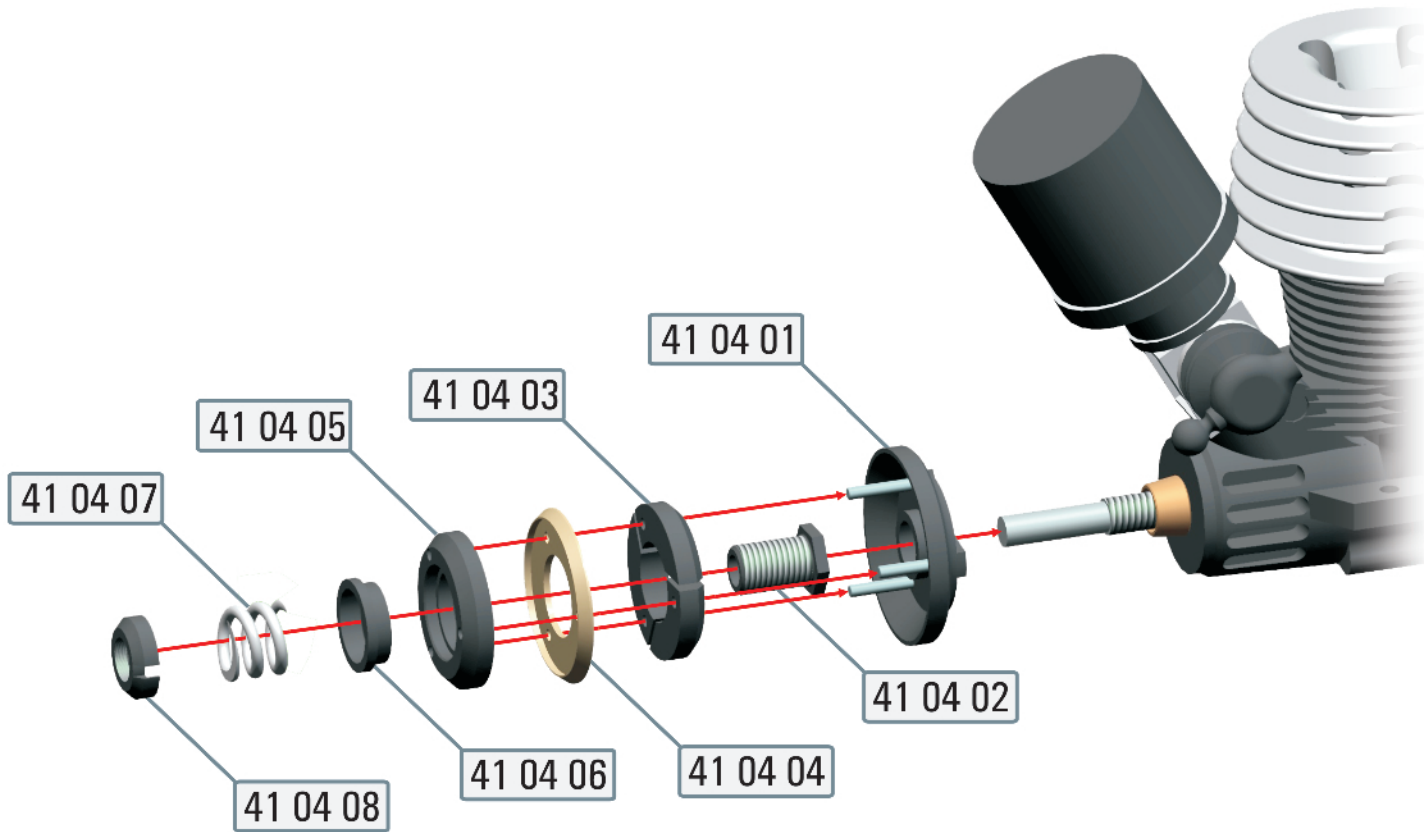
Tighten the bottom screw until the bottom o-ring seals the shock body.





70 01 06	Pivot ball 6mm	4
70 01 09	Pivot ball 4.9mm short	4
72 03 06	Hex. buttonhead screw M3x6	2
72 03 08	Hex. buttonhead screw M3x8	2

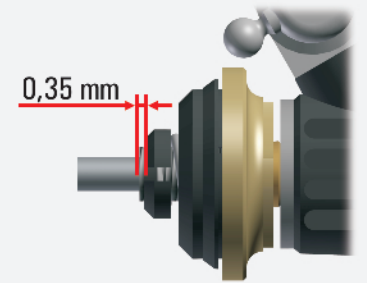
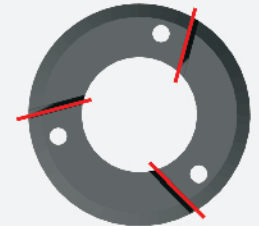




41 04 01	VCC Flywheel	1
41 04 02	VCC Flywheel nut	1
41 04 03	VCC Fly-weights	1
41 04 04	VCC Clutch steel disc	1
41 04 05	VCC Clutch shoe grey	1
41 04 06	VCC Spring cup	1
41 04 07	VCC Clutch spring extra hard	1
41 04 08	VCC Spring adjustment nut	1

### Instruction

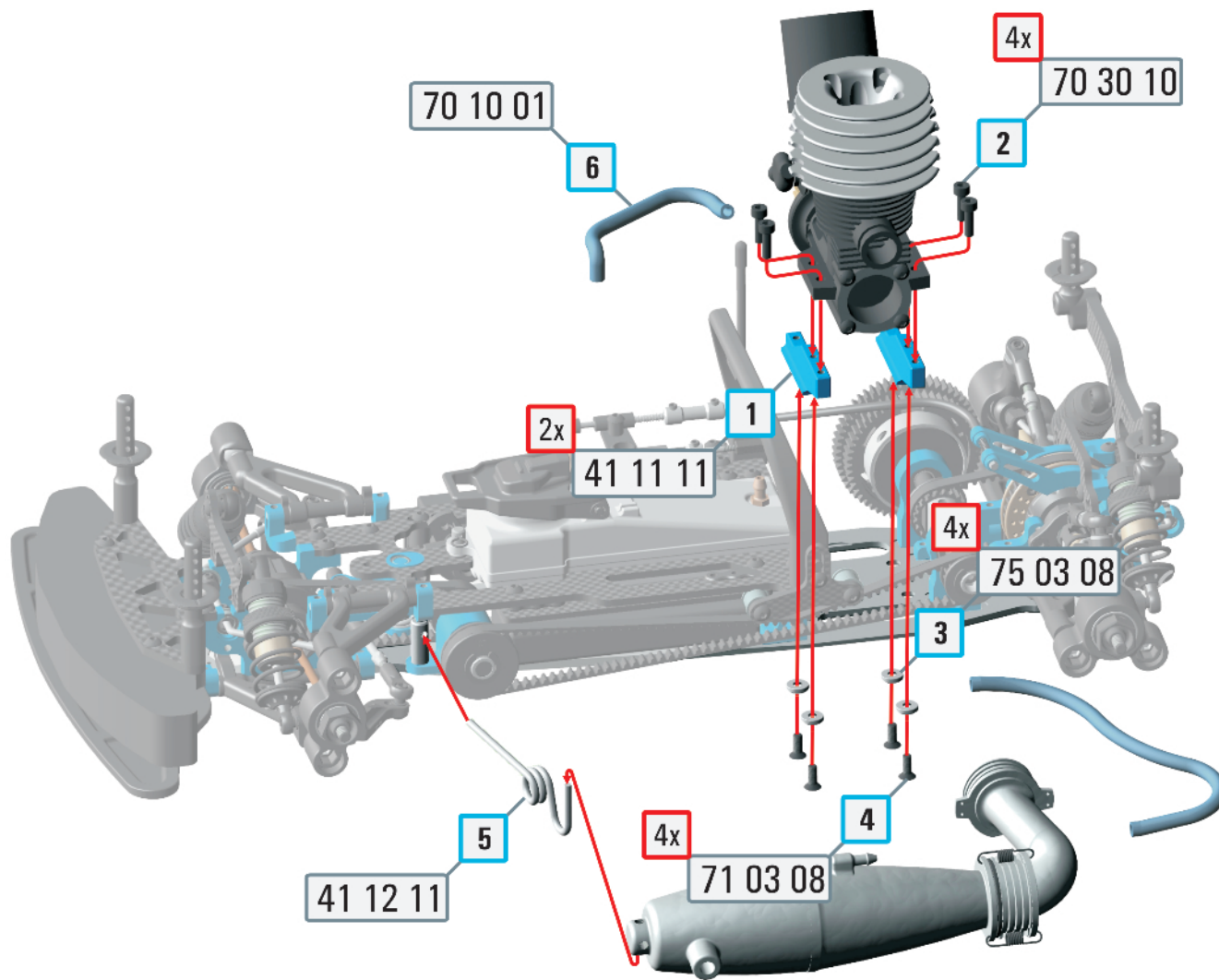
Cut the fly-weights at the marked positions and clean the edges of the shoe.



**Option-Part for 41 04 05:**  
51 04 05 Clutch shoe tuning yellow







41 11 11(B)	Engine mounts	2
41 12 11	Muffler spring v2	1
70 10 01	Fueltube light-blue	1
70 30 10	Hexagonsocket screw M3x10	4
71 03 08	Hex. countersunk screw M3x8	4
75 03 08	M3 Countersunk washer	4

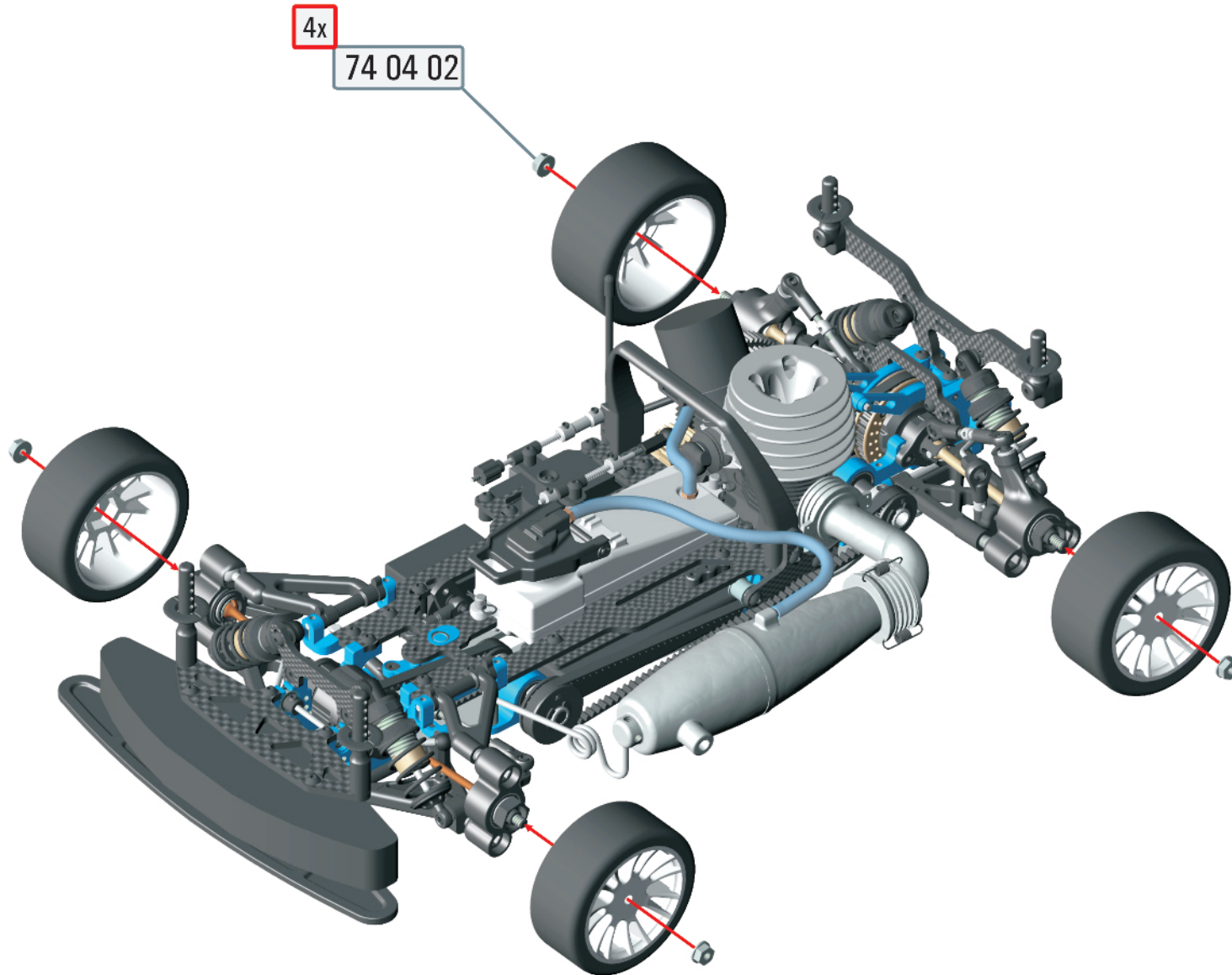
### Instruction

Please remove the left suspension bracket to fix the muffler spring with the set screw 73 03 03 from Bag 1 Step 1.

### Option-Part for 41 11 11:

51 11 11 Engine mounts brass  
51 11 21 One-piece engine mount





70 05 01	Body-clips large	4
74 04 02	Wheel nut M4	4

**Shepherd Micro Racing GmbH & Co. KG**

Herrenwiesenweg 1

Germany

69207 Sandhausen

Call: +49 (0) 6224 - 92 39 11

Email: [info@team-shepherd.com](mailto:info@team-shepherd.com)

[www.team-shepherd.com](http://www.team-shepherd.com)